

User's Manual

TE2100

TE2100 TE2100 **TE2100** TE2100 TE2100 TE2100

Choose freedom.

TOSHIBA

Copyright

© 2002 by TOSHIBA Corporation. All rights reserved. Under the copyright laws, this manual cannot be reproduced in any form without the prior written permission of TOSHIBA. No patent liability is assumed, with respect to the use of the information contained herein.

TOSHIBA TE2100 Portable Personal Computer User's Manual

First edition March 2002

Disclaimer

This manual has been validated and reviewed for accuracy. The instructions and descriptions it contains are accurate for the TOSHIBA TE2100 Portable Personal Computer at the time of this manual's production. However, succeeding computers and manuals are subject to change without notice. TOSHIBA assumes no liability for damages incurred directly or indirectly from errors, omissions or discrepancies between the computer and the manual.

Trademarks

IBM PC and PS/2 are trademarks of International Business Machines Corporation.

Intel and Pentium are registered trademarks of Intel Corporation.

Windows and Microsoft are registered trademarks of Microsoft Corporation.

Sound Blaster and Pro are trademarks of Creative Technology Ltd.

Photo CD is a trademark of Eastman Kodak.

Centronics is a registered trademark of Centronics Data Computer Corporation.

i.LINK is a trademark of Sony Corporation.

Other trademarks and registered trademarks not listed above may be used in this manual.

EU Declaration of Conformity



This product carries the CE-Mark in accordance with the related European Directives. Responsibility for CE-Marking rests with Toshiba Europe GmbH, Hammfelddamm 8, 41460 Neuss, Germany.

FCC notice “Declaration of Conformity Information”

This equipment has been tested and found to comply with the limits for a Class B digital device, pursuant to part 15 of the FCC rules. These limits are designed to provide reasonable protection against harmful interference in a residential installation. This equipment generates, uses and can radiate radio frequency energy and, if not installed and used in accordance with the instructions, may cause harmful interference to radio communications. However, there is no guarantee that interference will not occur in a particular installation. If this equipment does cause harmful interference to radio or television reception, which can be determined by turning the equipment off and on, the user is encouraged to try to correct the interference by one or more of the following measures:

- Reorient or relocate the receiving antenna.
- Increase the separation between the equipment and receiver.
- Connect the equipment into an outlet on a circuit different from that to which the receiver is connected.
- Consult the dealer or an experienced radio/TV technician for help.



WARNING: Only peripherals complying with the FCC class B limits may be attached to this equipment. Operation with non-compliant peripherals or peripherals not recommended by TOSHIBA is likely to result in interference to radio and TV reception. Shielded cables must be used between the external devices and the computer's external monitor port, USB port, serial port, parallel port, PS/2 mouse/keyboard port and microphone jack. Changes or modifications made to this equipment, not expressly approved by TOSHIBA or parties authorized by TOSHIBA could void the user's authority to operate the equipment.

FCC conditions

This device complies with part 15 of the FCC Rules. Operation is subject to the following two conditions:

1. This device may not cause harmful interference.
2. This device must accept any interference received, including interference that may cause undesired operation.

Information to the Wireless LAN User

Wireless Interoperability

The TOSHIBA Wireless LAN Mini PCI Card products are designed to be interoperable with any Wireless LAN product that is based on Direct Sequence Spread Spectrum (DSSS) radio technology, and is compliant to:

- The IEEE 802.11 Standard on Wireless LANs (Revision B), as defined and approved by the Institute of Electrical and Electronics Engineers.
- The Wireless Fidelity (WiFi) certification as defined by the WECA Wireless Ethernet Compatibility Alliance.

Wireless LAN and your Health

Wireless LAN products, like other radio devices, emit radio frequency electromagnetic energy. The level of energy emitted by Wireless LAN devices however is far much less than the electromagnetic energy emitted by wireless devices like for example mobile phones.

Because Wireless LAN products operate within the guidelines found in radio frequency safety standards and recommendations, TOSHIBA believes Wireless LAN is safe for use by consumers. These standards and recommendations reflect the consensus of the scientific community and result from deliberations of panels and committees of scientists who continually review and interpret the extensive research literature.

In some situations or environments, the use of Wireless LAN may be restricted by the proprietor of the building or responsible representatives of the organisation. These situations may for example include:

- Using the Wireless LAN equipment on board of aeroplanes, or
- In any other environment where the risk of interference to other devices or services is perceived or identified as harmful.

If you are uncertain of the policy that applies on the use of wireless devices in a specific organisation or environment (e.g. airports), you are encouraged to ask for authorisation to use the Wireless LAN device prior to turning on the equipment.

Regulatory Information

The TOSHIBA Wireless LAN Mini PCI Card must be installed and used in strict accordance with the manufacturer's instructions as described in the user documentation that comes with the product. This device complies with the following radio frequency and safety standards.

Europe – EU Declaration of Conformity

This device complies with the essential requirements of the R&TTE Directive 1999/5/EC with essential test suites as per standards:

- EN 60950 Safety of Information Technology equipment
- ETS 300 328 Technical requirements for radio equipment
- ETS 300 826 General EMC requirements for radio equipment.

België/Belgique

For outdoor usage only channel 10 (2457 MHz) and 11 (2462 MHz) is allowed.

For private usage outside buildings across public grounds over less than 300m no special registration with IBPT/BIPT is required.

Registration to IBPT/BIPT is required for private usage outside buildings across public grounds over more than 300m. An IBPT/BIPT license is required for public usage outside building.

For registration and license please contact IBPT/BIPT.

Gebruik buiten gebouw alleen op kanalen 10 (2457 MHz) en 11 (2462 MHz). Voor privé-gebruik buiten gebouw over publieke grond over afstand kleiner dan 300m geen registratie bij BIPT/IBPT nodig; voor gebruik over afstand groter dan 300m is wel registratie bij BIPT/IBPT nodig. Voor publiek gebruik buiten gebouwen is licentie van BIPT/IBPT verplicht. Voor registratie of licentie kunt u contact opnemen met BIPT.

L'utilisation en extérieur est autorisée sur le canal 10 (2457 MHz) et 11 (2462 Mhz).

Dans le cas d'une utilisation privée, à l'extérieur d'un bâtiment, au-dessus d'un espace public, aucun enregistrement n'est nécessaire pour une distance de moins de 300m. Pour une distance supérieure à 300m un enregistrement auprès de l'IBPT est requise. Pour une utilisation publique à l'extérieur de bâtiments, une licence de l'IBPT est requise. Pour les enregistrements et licences, veuillez contacter l'IBPT.

Deutschland

License required for outdoor installations. Check with reseller for procedure to follow

Anmeldung im Outdoor-Bereich notwendig, aber nicht genehmigungspflichtig. Bitte mit Händler die Vorgehensweise abstimmen.

France	<p>Restricted frequency band: only channels 10 and 11 (2457 MHz and 2462 MHz respectively) may be used in France. License required for every installation, indoor and outdoor installations. Please contact ART for procedure to follow.</p> <p>Bande de fréquence restreinte : seuls les canaux 10 à 11 (2457 et 2462 MHz respectivement) doivent être utilisés en France.</p> <p>Toute utilisation, qu'elle soit intérieure ou extérieure, est soumise à autorisation. Vous pouvez contacter l'Autorité de Régulation des Télécommunications (http://www.art-telecom.fr) pour la procédure à suivre.</p>
Italia	<p>License required for indoor use. Use with outdoor installations not allowed</p> <p>E' necessaria la concessione ministeriale anche per l'uso interno.</p> <p>Verificare con i rivenditori la procedura da seguire. L'uso per installazione in esterni non e' permessa.</p>
Nederland	<p>License required for outdoor installations. Check with reseller for procedure to follow</p> <p>Licentie verplicht voor gebruik met buitenantennes. Neem contact op met verkoper voor juiste procedure</p>

Caution: Exposure to Radio Frequency Radiation.

The radiated output power of the TOSHIBA Wireless LAN Mini PCI Card is far below the FCC radio frequency exposure limits. Nevertheless, the TOSHIBA Wireless LAN Mini PCI Card shall be used in such a manner that the potential for human contact during normal operation is minimised. When using this device in combination with Wireless LAN Outdoor Antenna products, a certain separation distance between antenna and nearby persons has to be kept to ensure RF exposure compliance. The distance between the antennas and the user should not be less than 5.0cm.

Refer to the Regulatory Statements as identified in the documentation that comes with those products for additional information.

The TOSHIBA Wireless LAN Mini PCI Card is far below the FCC radio frequency exposure limits.

Nevertheless, it is advised to use the TOSHIBA Wireless LAN Mini PCI Card in such a manner that human contact during normal operation is minimised.

Interference Statement

This equipment has been tested and found to comply with the limits for a Class B digital device, pursuant to Part 15 of the FCC Rules. These limits are designed to provide reasonable protection against harmful interference in a residential installation.

This equipment generates, uses, and can radiate radio frequency energy. If not installed and used in accordance with the instructions, it may cause harmful interference to radio communications. However, there is no guarantee that interference will not occur in a particular installation.

If this equipment does cause harmful interference to radio or television reception, which can be determined by turning the equipment off and on, the user is encouraged to try and correct the interference by one or more of the following measures:

- Reorient or relocate the receiving antenna.
- Increase the distance between the equipment and the receiver.
- Connect the equipment to an outlet on a circuit different from that to which the receiver is connected.
- Consult the dealer or an experienced radio/TV technician for help.

TOSHIBA is not responsible for any radio or television interference caused by unauthorised modification of the devices included with this TOSHIBA Wireless LAN Mini PCI Card, or the substitution or attachment of connecting cables and equipment other than specified by TOSHIBA .

The correction of interference caused by such unauthorised modification, substitution or attachment will be the responsibility of the user.

Taiwan

Article 14 Unless approved, for any model accredited low power radio frequency electric machinery, any company, trader or user shall not change the frequency, increase the power or change the features and functions of the original design.

Article 17 Any use of low power radio frequency electric machinery shall not affect the aviation safety and interfere with legal communications. In event that any interference is found, the use of such electric machinery shall be stopped immediately, and reusing of such products can be resumed until no interference occurs after improvement.

The legal communications mentioned in the above item refer to radio communications operated in accordance with telecommunication laws and regulations.

Low power radio frequency electric machinery shall resist against interference from legal communications or from industrial, scientific and medical radio emission electric machinery.

Using this equipment in Japan

In Japan, the frequency bandwidth of 2,400~2,483.5MHz for second generation low-power data communication systems such as this equipment overlaps that of mobile object identification systems (premises radio station and specified low-power radio station).

1. Sticker

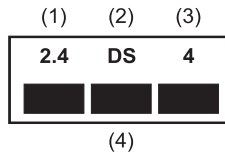
Please put the following sticker on devices incorporating this product.

In the frequency bandwidth of this equipment, industrial device, scientific device, medical device like microwave oven, licensed premises radio station and non-licensed specified low-power radio station for mobile object identification system (RF-ID) that is used in product line of factories, (Other Radio Stations) are used.

1. Please make sure before using this equipment that no Other Radio Stations are used in the neighbourhood.
2. In case that RF interference occurs to Other Radio Stations from this equipment, please change promptly the frequency for use, place to use, or stop emitting Radio.
3. Please contact TOSHIBA Direct PC if you have a problem, such as interference from this equipment to Other Radio Stations.

2. Indication

The indication shown below appears on this equipment.



- (1) 2.4 : This equipment uses a frequency of 2.4GHz.
 (2) DS : This equipment uses DS-SS modulation.
 (3) 4 : The interference range of this equipment is less than 40m.
 (4) ■ ■ ■ : This equipment uses a frequency bandwidth from 2,400mhz to 2,483.5MHz.

It is impossible to avoid the band of mobile object identification systems.

Electronic communication device authorisation

This device obtains the Technical Conditions Compliance Approval, and it belongs to the device class of radio equipment of low-power data communication system radio station stipulated in the Telecommunications Business Law.

The following restrictions apply:

- Do not disassemble or modify the device.
- Do not remove the authorisation label from the device.

Device Authorisation

This device obtains the Technical Regulation Conformity Certification, and it belongs to the device class of radio equipment of low-power data communication system radio station stipulated in the Radio Law of Japan.

The following restrictions apply:

- Do not disassemble or modify the device.
- Do not remove the authorisation label from the device.

Regulatory statements

General

This product complies with any mandatory product specification in any country/region where the product is sold. In addition, the product complies with the following.

European Union (EU) and EFTA

This equipment complies with the R&TTE directive 1999/5/EC and has been provided with the CE mark accordingly.

United States of America and Canada

Tested To Comply With FCC Standards FOR HOME OR OFFICE USE. See FCC 47CFR part 15.19(b)(2)

This device complies with part 15 of the FCC rules and with RSS-210 / RSS-139 of the Industry Canada. Operation is subject to the following two conditions: (1) This device may not cause harmful interference, and (2) this device must accept any interference received, including interference that may cause undesired operation.

Note that any changes or modifications to this equipment not expressly approved by the manufacturer may void the FCC authorisation to operate this equipment.

Canada

IC Notice

To prevent radio interference to the licensed service, this device is intended to be operated indoors and away from windows to provide maximum shielding. Equipment that is installed outdoors is subject to licensing.

Pour empêcher un brouillage radioélectrique au service faisant l'objet d'une licence, cet appareil doit être utilisé à l'intérieur et loin des fenêtres afin de fournir un écran de blindage maximal. Au cas où un installation en plain air, le matériel doit faire l'objet d'une licence.

EU Declaration of Conformity

Toshiba declares, that this product conforms to the following Standards:

Supplementary Information: “The product complies with the requirements of the Low Voltage Directive 73/23/EEC and the EMC Directive 89/336/EEC and/or the R&TTE Directive 1999/05/EEC.”

This product is carrying the CE-Mark in accordance with the related European Directives. Responsible for CE-Marking is Toshiba Europe GmbH, Hammfelddamm 8, 41460 Neuss, Germany.

TOSHIBA DVD-ROM drive SD-C2502** safety instruction

** means any letters or numbers.

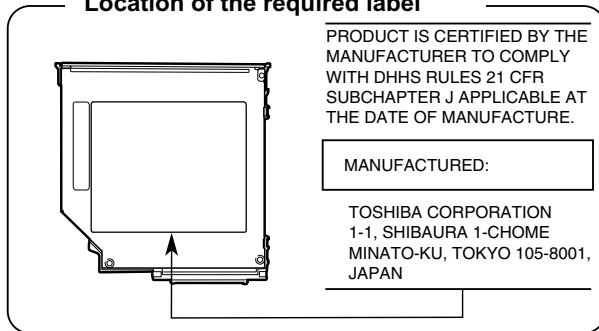


The DVD-ROM drive employs a laser system. To ensure proper use of this product, please read this instruction manual carefully and retain for future reference. Should the unit ever require maintenance, contact an authorised service location.

Use of controls, adjustments or the performance of procedures other than those specified may result in hazardous radiation exposure.

To prevent direct exposure to the laser beam, do not try to open the enclosure.

Location of the required label



CLASS 1 LASER PRODUCT
LASERSCHUTZKLASSE 1
PRODUKT
TO EN60825

CAUTION: *This appliance contains a laser system and is classified as a "CLASS 1 LASER PRODUCT." To use this model properly, read the instruction manual carefully and keep this manual for your future reference. In case of any trouble with this model, please contact your nearest "AUTHORISED service station." To prevent direct exposure to the laser beam, do not try to open the enclosure.*

CAUTION: *USE OF CONTROLS OR ADJUSTMENTS OR PERFORMANCE OF PROCEDURES OTHER THAN THOSE SPECIFIED IN THE OWNER'S MANUAL MAY RESULT IN HAZARDOUS RADIATION EXPOSURE.*

TEAC DVD-ROM drive DV-28E** safety instruction

** means any letters or numbers.



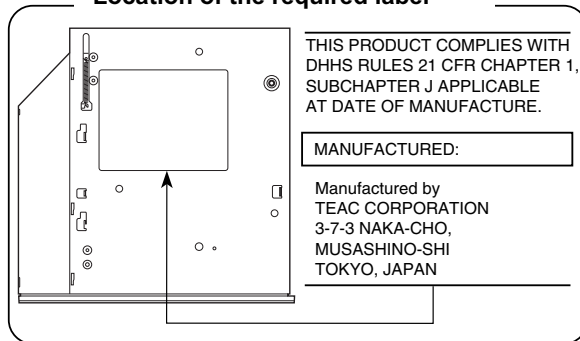
This product has been designed and manufactured according to FDA regulations "title 21, CFR, chapter 1, subchapter J, based on the radiation Control for Health and Safety Act of 1968," and is classified as a class 1 laser product. There is no hazardous invisible laser radiation confined in the protective housings.

The label required in this regulation is shown below.

Use of controls or adjustments or performance of procedures other than those specified herein may result in hazardous radiation exposure.

	Optical pickup
Type:	PU-2200
Manufacturer:	TEAC CORPORATION
Laser output:	Less than 0.25m W on the objective lens
Wavelength:	795nm.

Location of the required label



CLASS 1 LASER PRODUCT
LASERSCHUTZKLASSE 1
PRODUKT
TO EN60825

CAUTION: *This appliance contains a laser system and is classified as a "CLASS 1 LASER PRODUCT." To use this model properly, read the instruction manual carefully and keep this manual for your future reference. In case of any trouble with this model, please contact your nearest "AUTHORISED service station." To prevent direct exposure to the laser beam, do not try to open the enclosure.*

CAUTION: *USE OF CONTROLS OR ADJUSTMENTS OR PERFORMANCE OF PROCEDURES OTHER THAN THOSE SPECIFIED IN THE OWNER'S MANUAL MAY RESULT IN HAZARDOUS RADIATION EXPOSURE.*

TEAC CD-ROM drive CD-224E** safety instruction

** means any letters or numbers.



The CD-ROM drive employs a laser system. To ensure proper use of this product, please read this instruction manual carefully and retain for future reference. Should the unit ever require maintenance, contact an authorised service location.

Use of controls, adjustments or the performance of procedures other than those specified may result in hazardous radiation exposure.

To prevent direct exposure to the laser beam, do not try to open the enclosure.

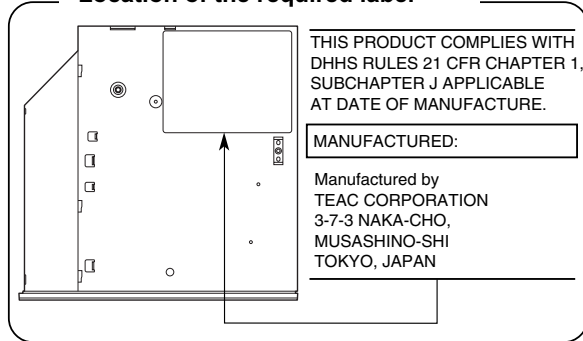
This product has been designed and manufactured according to FDA regulations "title 21. CFR. chapter 1, subchapter J. based on the radiation Control for Health and Safety Act of 1968," and is classified as a class 1 laser product. There is no hazardous invisible laser radiation confined in the protective housings.

The label required in this regulation is shown below.

Use of controls or adjustments or performance of procedures other than those specified herein may result in hazardous radiation exposure.

	Optical pickup
Type:	PU-2200
Manufacturer:	TEAC CORPORATION
Laser output:	Less than 0.25m W on the objective lens
Wavelength:	795nm.

Location of the required label



CLASS 1 LASER PRODUCT
LASERSCHUTZKLASSE 1
PRODUKT
TO EN60825

CAUTION: *This appliance contains a laser system and is classified as a “CLASS 1 LASER PRODUCT.” To use this model properly, read the instruction manual carefully and keep this manual for your future reference. In case of any trouble with this model, please contact your nearest “AUTHORISED service station.” To prevent direct exposure to the laser beam, do not try to open the enclosure.*

CAUTION: *USE OF CONTROLS OR ADJUSTMENTS OR PERFORMANCE OF PROCEDURES OTHER THAN THOSE SPECIFIED IN THE OWNER'S MANUAL MAY RESULT IN HAZARDOUS RADIATION EXPOSURE.*

HITACHI DVD-ROM drive GDR-8081N** safety instruction

** means any letters or numbers.

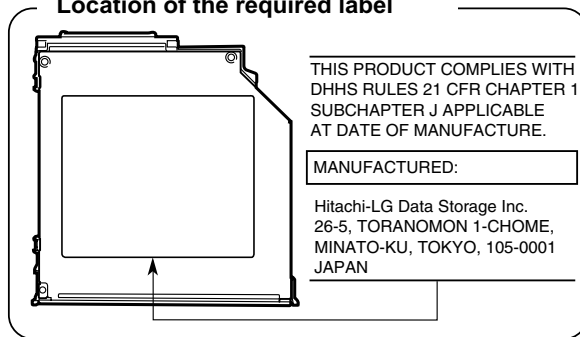


The DVD-ROM drive employs a laser system. To ensure proper use of this product, please read this instruction manual carefully and retain for future reference. Should the unit ever require maintenance, contact an authorised service location.

Use of controls, adjustments or the performance of procedures other than those specified may result in hazardous radiation exposure.

To prevent direct exposure to the laser beam, do not try to open the enclosure.

Location of the required label



CLASS 1 LASER PRODUCT
LASERSCHUTZKLASSE 1
PRODUKT
TO EN60825

CAUTION: *This appliance contains a laser system and is classified as a “CLASS 1 LASER PRODUCT.” To use this model properly, read the instruction manual carefully and keep this manual for your future reference. In case of any trouble with this model, please contact your nearest “AUTHORISED service station.” To prevent direct exposure to the laser beam, do not try to open the enclosure.*

CAUTION: *USE OF CONTROLS OR ADJUSTMENTS OR PERFORMANCE OF PROCEDURES OTHER THAN THOSE SPECIFIED IN THE OWNER'S MANUAL MAY RESULT IN HAZARDOUS RADIATION EXPOSURE.*

General Precautions

Toshiba computers are designed to optimise safety, minimise strain and withstand the rigors of portability. However, certain precautions should be observed to further reduce the risk of personal injury or damage to the computer.

Be certain to read the general precautions below and to note the cautions included in the text of the manual. Please also refer to the *Safety Instruction Manual*.

Stress injury

Carefully read the *Safety Instruction Manual*. It contains information on prevention of stress injuries to your hands and wrists that can be caused by extensive keyboard use. Chapter 3, *Getting Started*, includes information on work space design, posture and lighting that can help reduce physical stress.

Heat Warning

The base of the PC can become very warm; while the temperature will not be too hot to the touch, prolonged physical contact may result in a temporary heat imprint on the skin. It is recommended that prolonged physical contact is avoided.

Also, if the computer has been used for a long time, avoid direct contact with the metal plate supporting the I/O ports. It can become hot.

Mobile phones

Use of mobile phones can interfere with the PC sound system. The PC operation is not impaired but it is recommended that a distance of 30cm is maintained between the PC & the mobile phone.

Pressure or impact damage

Do not apply heavy pressure to the computer or subject it to strong impact. Excessive pressure or impact can cause damage to computer components or otherwise cause malfunctions.

PC card overheating

Some PC cards can become hot with prolonged use. If two cards are installed, both can become hot even if only one is used extensively. Overheating of a PC card can result in errors or instability in the PC card operation. Also, be careful when you remove a PC card that has been used for a long time.

CE compliance

This product and the original options are designed to observe the related EMC (Electromagnetic compatibility) and safety standards. However, Toshiba should not guarantee that this product still observes these EMC standards if options or cables not produced by Toshiba are connected or implemented. In this case the persons who have connected / implemented those options / cables have to assure that the system (PC plus options / cables) still fulfils the required standards. To avoid in general EMC problems following advice should be observed:

- Only CE marked options should be connected / implemented
- Only best shielded cables should be connected

Working environment

This product was designed to fulfil the EMC (electromagnetic compatibility) requirements to be observed for so-called "Residential, commercial and light industry environments".

Toshiba do not approve the use of this product in working environments other than the above mentioned "Residential, commercial and light industry environments".

For example, the following environments are not approved:

- Industrial Environments (environments with a mains voltage >230V~)
- Medical Environments
- Automotive Environments
- Aircraft Environments



If this product is supplied with a network port, please refer to the paragraph "Network connection".

Any consequences resulting from the use of this product in working environments that are not approved are not the responsibility of Toshiba Europe GmbH.

The consequences of the use of this product in non-approved working environments may be:

- Interference with other devices or machines in the near surrounding area
- Malfunction of, or data loss from, this product caused by disturbances generated by other devices or machines in the near surrounding area

Therefore Toshiba strongly recommend that the electromagnetic compatibility of this product should be suitably tested in all non-approved working environments before use. In the case of automobiles or aircraft, the manufacturer or airline respectively should be asked for permission before use of this product.

Furthermore, for general safety reasons, the use of this product in environments with explosive atmospheres is not permitted.

Network connection (class A warning)

If this product has networking capabilities and will be connected to a network, Class A radiation limits will be observed (in accordance with technical conventions). This means that if the product will be used in a domestic environment, other devices in the near surrounding may suffer interference. Consequently, please do not use this product in such environments (for example a living room), otherwise you could be held responsible for any ensuing interference.

Modem warning notice

Conformity Statement

The equipment has been approved to [Commission Decision "CTR21"] for pan-European single terminal connection to the Public Switched Telephone Network (PSTN).

However, due to differences between the individual PSTNs provided in different countries/regions the approval does not, of itself, give an unconditional assurance of successful operation on every PSTN network termination point.

In the event of problems, you should contact your equipment supplier in the first instance.

Network Compatibility Statement

This product is designed to work with, and is compatible with the following networks. It has been tested to and found to conform with the additional requirements contained in EG 201 121.

Germany	- ATAAB AN005, AN006, AN007, AN009, AN010, and DE03, 04, 05, 08, 09, 12, 14, 17
Greece	- ATAAB AN005, AN006 and GR01, 02, 03, 04
Portugal	- ATAAB AN001, 005, 006, 007, 011 and P03, 04, 08, 10
Spain	- ATAAB AN005, 007, 012, and ES01
Switzerland	- ATAAB AN002
All other countries/regions	- ATAAB AN003, 004

Specific switch settings or software setup are required for each network. The hookflash (timed break register recall) function is subject to separate national type approval. It has not been tested for conformity to national type regulations, and no guarantee of successful operation of that specific function on specific national networks can be given.

Table of Contents

Preface

Manual contents	xxvii
Conventions	xxviii
Abbreviations.....	xxviii
Icons.....	xxviii
Keys.....	xxviii
Key operation	xxviii
Display.....	xxviii
Messages	xxviii

Chapter 1 Introduction

Equipment checklist	1-1
Features	1-3
Special features	1-9
Utilities	1-11
Options	1-12
Slim SelectBay options.....	1-13

Chapter 2 The Grand Tour

Front with the display closed	2-1
Left side.....	2-2
Right side	2-3
Back side	2-4
Underside.....	2-6
Front with the display open	2-8
Indicators	2-10
AC adaptor.....	2-12
Slim SelectBay modules	2-13
DVD-ROM drive.....	2-13
CD-ROM drive	2-15
CD-R/RW drive	2-15
CD-RW/DVD-ROM drive.....	2-16
Slim SelectBay HDD adaptor	2-18
Slim SelectBay 2nd battery pack	2-18
Weight saver	2-19

Chapter 3 Getting Started

Setting up your work space	3-1
General conditions.....	3-2
Placement of computer	3-2
Seating and posture	3-3
Lighting.....	3-3
Work habits.....	3-4
Opening the display	3-5
Connecting the AC adaptor.....	3-6
Turning on the power	3-7
Turning off the power.....	3-7
Shut Down mode (Boot mode).....	3-7
Hibernation mode	3-8
Standby mode	3-10
Restarting the computer.....	3-11
Restoring your preinstalled software	3-12
Restoring the complete system	3-12
Restoring TOSHIBA utilities and drivers	3-12

Chapter 4 Operating Basics

Using AccuPoint II	4-1
AccuPoint II precautions.....	4-2
Replacing the cap.....	4-2
Changing Slim SelectBay modules	4-3
Removing a module.....	4-3
Installing a module.....	4-4
Using optical media drives	4-4
Loading CDs.....	4-5
Removing CDs.....	4-8
CD/DVDs care	4-9
Using the 3 ½" external diskette drive	4-10
Connecting the 3 ½" diskette drive	4-11
Disconnecting the 3 ½" diskette drive.....	4-11
Diskette care.....	4-12
Wireless LAN	4-12
Wireless communication switch	4-12
Wireless communication LED	4-13
LAN	4-13
LAN cable types	4-13
Connecting a LAN cable.....	4-14
Disconnecting a LAN cable	4-14
Network Device Switch	4-15
Super Long Life scheme.....	4-16
Using the internal modem	4-16
Region selection	4-17
Properties menu	4-18
Connecting	4-19
Disconnecting.....	4-20
Cleaning the computer	4-20
Moving the computer	4-20
Heat dispersal	4-21

Chapter 5 The Keyboard

Typewriter keys	5-1
F1 ... F12 function keys.....	5-2
Soft Keys: Alt Gr Key Combinations	5-2
Soft keys: Fn key combinations	5-2
Emulating keys on enhanced keyboard.....	5-3
Hotkeys	5-4
Emulating Fn key on external keyboard	5-5
Fn Sticky key	5-5
Windows special keys.....	5-6
Keypad overlay	5-6
Turning on the overlays.....	5-6
Temporarily using normal keyboard (overlay on)	5-7
Temporarily using overlay (overlay off).....	5-7
Temporarily changing modes.....	5-8
Generating ASCII characters.....	5-8

Chapter 6 Power and Power-Up Modes

Power conditions	6-1
Power indicators	6-3
Battery indicators	6-3
DC IN indicator	6-3
Power indicator.....	6-4
Battery types.....	6-4
Main battery.....	6-4
Secondary battery (option)	6-5
Real time clock battery	6-5
Care and use of the battery pack.....	6-6
Safety precautions.....	6-6
Charging the batteries	6-7
Monitoring battery capacity.....	6-8
Maximising battery operating time	6-9
Retaining data with power off.....	6-9
Extending battery life.....	6-10
Replacing the battery pack	6-10
Removing the battery pack	6-11
Installing the battery pack	6-12
Starting the computer by password	6-13

Chapter 7 HW Setup and Passwords

HW Setup	7-1
Accessing HW Setup.....	7-1
HW Setup window	7-2
Supervisor password	7-10

Chapter 8 Optional Devices

Cards/memory	8-1
Power devices	8-1
Peripheral devices	8-1
Other.....	8-1
PC cards.....	8-2
Installing a PC card.....	8-2
Removing a PC card.....	8-3
Memory expansion.....	8-4
Installing a memory module.....	8-4
Removing a memory module.....	8-5
Additional battery pack.....	8-7
Slim SelectBay 2nd battery pack	8-7
Installing	8-7
Removing.....	8-8
Additional AC adaptor.....	8-8
Battery charger.....	8-8
Slim SelectBay HDD adaptor.....	8-9
USB diskette drive.....	8-10
Advanced Port Replicator	8-11
Parallel printer	8-12
External monitor	8-13
Television	8-14
PS/2 mouse.....	8-15
PS/2 keyboard	8-15
Security lock	8-16

Chapter 9 Troubleshooting

Problem solving process	9-1
Preliminary checklist	9-2
Analysing the problem	9-2
Hardware and system checklist.....	9-3
System start-up	9-4
Self test.....	9-4
Power	9-5
Password.....	9-7
Keyboard	9-7
LCD panel.....	9-8
Hard disk drive	9-8
CD-ROM drive	9-9
CD-R/RW drive	9-10
DVD-ROM drive	9-11
CD-RW/DVD-ROM drive.....	9-12
Diskette drive.....	9-13
Infrared port.....	9-13
Printer	9-14
Pointing device	9-14
PC card.....	9-15
Monitor	9-16
Sound system.....	9-16
TV output signal.....	9-17
USB	9-17
Modem	9-18
Standby/Hibernation.....	9-19
Memory expansion	9-19
LAN.....	9-19
Wireless LAN	9-20
If you need further assistance.....	9-20
Before you call	9-20
Where to write	9-20

- Appendix A Specifications**
- Appendix B AC Power Cord and Connectors**
- Appendix C The Toshiba International Warranty**
- Appendix D Keyboard Layouts**
- Appendix E Display Controller and Modes**
- Appendix F If your computer is stolen**
- Appendix G ASCII Character Codes**
- Appendix H Internal Modem Guide**
- Appendix I Wireless LAN**
- Appendix J AT Commands**
- Appendix K S-registers**
- Appendix L V.90**
- Glossary**
- Index**

Preface

Congratulations on your purchase of the TOSHIBA TE2100 series computer. This powerful, lightweight notebook computer is designed to provide years of reliable, high-performance computing.

This manual tells how to set up and begin using your TE2100 computer. It also provides detailed information on configuring your computer, basic operations and care, using optional devices and troubleshooting.

If you are a new user of computers or if you're new to portable computing, first read over the *Introduction* and *The Grand Tour* chapters to familiarise yourself with the computer's features, components and accessory devices. Then read *Getting Started* for step-by-step instructions on setting up your computer.

If you are an experienced computer user, please continue reading the preface to learn how this manual is organised, then become acquainted with this manual by browsing through its pages. Be sure to look over the *Special features* section of the *Introduction*, to learn about features that are uncommon or unique to the computers and carefully read *HW Setup and Passwords*. If you are going to install PC cards or connect external devices such as a printer, be sure to read Chapter 8, *Optional Devices*.

Manual contents

This manual is composed of nine chapters, twelve appendices, a glossary, and an index.

Chapter 1, *Introduction*, is an overview of the computer's features, capabilities and options.

Chapter 2, *The Grand Tour*, identifies the components of the computer and briefly explains how they function.

Chapter 3, *Getting Started*, provides a quick overview of how to begin operating your computer and gives tips on safety and designing your work area.

Chapter 4, *Operating Basics*, includes tips on care of the computer and on using the AccuPoint II, Slim SelectBay modules, optical media drives, optional external diskette drive, Wireless LAN, LAN and internal modem.

Chapter 5, *The Keyboard*, describes special keyboard functions including the keypad overlay and hotkeys.

Chapter 6, *Power and Power-Up Modes*, gives details on the computer's power resources and battery save modes.

Chapter 7, *HW Setup and Passwords*, explains how to configure the computer using the HW Setup program. It also tells how to set a password.

Chapter 8, *Optional Devices*, describes the optional hardware available.

Chapter 9, *Troubleshooting*, provides helpful information on how to perform some diagnostic tests, and suggests courses of action if the computer doesn't seem to be working properly.

The Appendices provide technical information about your computer.

The Glossary defines general computer terminology and includes a list of acronyms used in the text.

The Index quickly directs you to the information contained in this manual.

Conventions

This manual uses the following formats to describe, identify, and highlight terms and operating procedures.

Abbreviations

On first appearance, and whenever necessary for clarity, abbreviations are enclosed in parentheses following their definition. For example: Read Only Memory (ROM). Acronyms are also defined in the Glossary.

Icons

Icons identify ports, dials, and other parts of your computer. The indicator panel also uses icons to identify the components it is providing information on.

Keys

The keyboard keys are used in the text to describe many computer operations. A distinctive typeface identifies the key top symbols as they appear on the keyboard. For example, **Enter** identifies the Enter key.

Key operation

Some operations require you to simultaneously use two or more keys. We identify such operations by the key top symbols separated by a plus sign (+). For example, **Ctrl + C** means you must hold down **Ctrl** and at the same time press **C**. If three keys are used, hold down the first two and at the same time press the third.

Display



ABC

Names of windows or icons or text generated by the computer that appears on its display screen is presented in the type face you see to the left.

Text generated by the computer is usually preceded by the screen icon.

Messages

Messages are used in this manual to bring important information to your attention. Each type of message is identified as shown below.



Pay attention! A **caution** informs you that improper use of equipment or failure to follow instructions may cause data loss or damage your equipment.



Please read. A **note** is a hint or advice that helps you make best use of your equipment.

Introduction

This chapter provides an equipment checklist, and it identifies the computer's features, utilities, options and accessories.



Some of the features described in this manual may not function properly if you use an operating system that was not preinstalled by TOSHIBA.

Equipment checklist

Carefully unpack your computer. Save the box and packing materials for future use.

Check to make sure you have all the following items:

- TOSHIBA TE2100 Portable Personal Computer
- Universal AC adaptor and power cord
- Modular cable
- Spare AccuPoint II (pointing device) cap
- Slim SelectBay weight saver module

“Windows®XP” is the Microsoft® Windows®XP Professional operating system.

“Windows®2000” is the Microsoft® Windows®2000 Professional operating system.

Windows XP/2000 dual install



When you first turn on the computer, you will be guided through a selection procedure. You have the choice to select either Windows XP or Windows 2000 operating system.

- The following software is preinstalled:

If you choose Windows XP, the following software will be retained on your hard disk:

- Microsoft® Windows® XP Professional
- Modem driver
- Display Driver
- TOSHIBA Utilities
- Sound Driver
- DVD Video Player (on DVD-ROM models only)
- LAN Driver
- TOSHIBA Power Saver
- TOSHIBA Console
- Online manual

If you choose Windows 2000, the following software will be retained on your hard disk:

- Microsoft® Windows® 2000 Professional with Service Pack 2
- Modem driver
- Display Driver
- TOSHIBA Utilities
- Sound Driver
- DVD Video Player (on DVD-ROM models only)
- LAN Driver
- Infrared Device Driver
- Microsoft® Internet Explorer6.0
- TOSHIBA Power Saver
- TOSHIBA Console
- Online manual

- Documentation:
 - *TOSHIBA TE2100 Portable Personal Computer User's Manual*
 - *TOSHIBA TE2100 QuickStart*
 - *Microsoft Windows XP/Windows 2000 manual package*
 - *Safety Instruction Manual*
 - *Warranty Information*
- Product Recovery CD-ROM
- TOSHIBA Tools & Utilities CD-ROM

If any of the items are missing or damaged, contact your dealer immediately.

Features

The computer uses TOSHIBA's advanced Large Scale Integration (LSI), Complementary Metal-Oxide Semiconductor (CMOS) technology extensively to provide compact size, minimum weight, low power usage, and high reliability. This computer incorporates the following features and benefits:

Processor

Built-in	<p>The computer is equipped with an Intel® processor, which incorporates a math coprocessor and 20 KB cache.</p> <p>1.6 GHz Mobile Intel® Pentium®4 processor 1.6 GHz-M. Supports Enhanced Intel® SpeedStep™ technology.</p> <p>1.7 GHz Mobile Intel® Pentium®4 processor 1.7 GHz-M. Supportst Enhanced Intel® SpeedStep™ technology.</p> <p>Other processors may be offered in the future.</p>
-----------------	---

Memory

Slots	128 or 256 MB memory modules can be installed in the two memory slots for a maximum of 512MB system memory.
Level 2 cache	A 512KB level 2 cache is provided to maximize performance.
Video RAM	16 MB of RAM is provided for video display.

Disks

Hard disk drive	<p>The computer has an integrated, 2 ½" hard disk drive (HDD) for nonvolatile storage of data and software. It comes in the following sizes.</p> <ul style="list-style-type: none"> ■ 20 billion bytes (18.63 GB) ■ 30 billion bytes (27.94 GB) <p>Other hard disk drives may be offered in the future.</p>
CD-ROM drive	<p>A maximum 24-speed CD-ROM drive supports the following formats:</p> <ul style="list-style-type: none"> ■ Photo CD™ ■ CD-R (read only) ■ CD-ROM ■ CD-Rewritable (read only) ■ CD-DA ■ CD-ROM x A Mode 2 (Form1, Form2) ■ CD-Text ■ Enhanced CD (CD-EXTRA)
DVD-ROM drive	<p>A full-size, DVD-ROM drive module lets you run either digital versatile or compact disks without using an adaptor. It runs DVD-ROMs at maximum 8 speed and CD-ROMs at maximum 24 speed. This drive supports the same formats as the CD-ROM drive plus the following:</p> <ul style="list-style-type: none"> ■ DVD-ROM ■ DVD-Video
CD-R/RW drive	<p>Optionally available is a full-size, CD-R/RW drive module that lets you record CDs as well as run either digital versatile or compact disks without using an adaptor. It runs CDs and CD-Rs at maximum 24 speed and CD-RWs at maximum 14 speed. It writes CD-Rs at maximum 8 speed and CD-RWs at maximum 8 speed. This drive supports the following formats:</p> <ul style="list-style-type: none"> ■ Photo CD™ ■ CD-R ■ CD-ROM ■ CD-Rewritable ■ CD-DA ■ CD-ROM x A Mode 2 (Form1, Form2) ■ CD-Text ■ Enhanced CD (CD-EXTRA)

CD-RW/DVD-ROM drive

Optionally available is a full-size, CD-RW/DVD-ROM drive module that lets you run CD/DVDs without using an adaptor. It reads DVD-ROMs at maximum 8 speed and CD-ROMs at maximum 24 speed. It writes CD-R at up to 8 speed and CD-RW at up to 8 speed. A Mode Control switch turns power to the CD-RW/DVD-ROM drive on and off so you can use the drive as a stand-alone audio CD player. See Chapter 4, *Operating Basics*, for details. For reading, this drive supports the same formats as the DVD-ROM drive.

Display

The computer's LCD panel supports high-resolution video graphics. The screen can be set at a wide range of viewing angles for maximum comfort and readability.

Built-in

Thin-film transistor colour LCD has the following size:

- 14.1" XGA-TFT, 1024 horizontal x 768 vertical pixels
-

Graphics controller

A 64-bit graphics controller maximises display performance. Refer to Appendix E for more information.

Keyboard**Built-in**

85 keys or 86 keys, compatible with IBM enhanced keyboard, embedded numeric overlay, dedicated cursor control, and Windows keys.

AccuPoint II**Built-in**

A pointing device, the AccuPoint II, in the centre of the keyboard and control buttons at the base of the keyboard enable control of the on-screen pointer and scrolling of windows.

Power

Battery pack	The computer is powered by one rechargeable lithium-ion battery pack.
RTC battery	The internal RTC battery backs up the Real Time Clock (RTC) and calendar.
AC adaptor	The universal AC adaptor provides power to the system and recharges the batteries when they are low. It comes with a detachable power cord. Because it is universal, it can receive a range of AC voltage between 100 and 240 volts.

Ports

Headphone	Enables connection of a stereo headphone
Microphone	Enables connection of a monaural microphone
Parallel	Parallel printer or other parallel device (ECP compatible).
Serial	RS-232C compatible port (16550 UART compatible)
Infrared	This infrared port is compatible with Infrared Data Association (IrDA 1.1) Fast InfraRed (FIR) standards. It enables cableless 4 Mbps data transfer with IrDA 1.1 compatible external devices.
External monitor	A 15-pin, analog VGA port supports VESA DDC2B compatible functions.
PS/2 keyboard/ mouse	Connects an external PS/2 keyboard or PS/2 mouse.
Docking	Special port for connecting an optional Port Replicator.
Universal Serial Bus	Two Universal Serial Bus (USB) ports enable chain connection of a number of USB-equipped devices to one port on your computer.

Slots

PC card	A PC card slot accommodates: <ul style="list-style-type: none">■ Two 5 mm Type II■ One 10.5 mm Type III Refer to Chapter 8, <i>Optional Devices</i> , for details.
----------------	---

Multimedia

Sound System	Sound Blaster™ Pro™ and Windows Sound System compatible sound system provides internal speakers as well as jacks for an external microphone and headphone. It also has a volume control dial.
Video-out jack	This RCA jack lets you transfer NTSC or PAL data to external devices.

Communications

Modem	An internal modem provides capability for data and fax communication. It supports V.90. The speed of data transfer and fax depends on analog telephone line conditions. It has a modem jack for connecting to a telephone line.
LAN	The computer is equipped with a LAN card that supports Ethernet LAN (10 Mbit/s, 10BASE-T) and Fast Ethernet LAN (100 Mbit/s, 100BASE-Tx).
Wireless LAN	The computer is equipped with a Wireless LAN mini-PCI card that is compatible with other LAN systems based on Direct Sequence Spread Spectrum radio technology that complies with the IEEE 802.11 Standard (Revision B). It supports data transfer up to 11 Mbit/s. It has Frequency Channel Selection (2.4 GHz) and allows roaming over multiple channels.

Slim SelectBay

Modules	Slim SelectBay is a single-drive bay that accommodates a CD-ROM drive, DVD-ROM drive, CD-R/RW drive, CD-RW/DVD-ROM drive, secondary hard disk drive or secondary battery. The Slim SelectBay utility enables hot docking of modules when you are using a plug and play operating system.
----------------	--

Security

Security lock slot	Connects an optional security lock to anchor the computer to a desk or other large object
---------------------------	---

Software

Operating System	One of the following operating systems is available: Windows® XP/2000. Refer to the preinstalled software section at the front of this chapter.
-------------------------	---

TOSHIBA Utilities	A number of utilities and drivers are preinstalled to make your computer more convenient to use. Refer to the <i>Utilities</i> section in this chapter.
--------------------------	---

Plug and Play	When you connect an external device to the computer or when you install a component, Plug and Play capability enables the system to recognise the connection and make the necessary configurations automatically.
----------------------	---

Special features

The following features are either unique to TOSHIBA computers or are advanced features, which make the computer more convenient to use.

Hotkeys	Key combinations let you quickly modify the system configuration directly from the keyboard without running a system configuration program.
Keypad overlay	Keys with grey lettering make up the keypad overlay, which lets you use the keyboard for ten-key operations or cursor control.
Display automatic power off	This feature automatically cuts off power to the internal display when there is no keyboard input for a time specified. Power is restored when any key is pressed. You can specify the time in the <i>Turn off monitor</i> item of the <i>Power Save Mode</i> window in Power Saver.
HDD automatic power off	This feature automatically cuts off power to the hard disk drive when it is not accessed for a time specified. Power is restored when the hard disk is accessed. You can specify the time in the <i>Turn off hard disks</i> item of the <i>Power Save Mode</i> window in Power Saver.
System automatic power off	This feature automatically turns off power to the system when there is no input for a time specified. You can specify the time in the <i>When the system standby time has passed</i> item of the <i>System Power Mode</i> window in Power Saver.
Battery save mode	This feature lets you save battery power. You can specify the Power Save Mode in the <i>Running on batteries</i> item of the <i>Power Save Modes</i> window in Power Saver.
Power on password	Two levels of password security are available: supervisor and user. This feature prevents unauthorised access to your computer.
Instant security	A hotkey function blanks the screen and disables the computer providing quick and easy data security.

Panel power on/off	This feature turns power to the computer off when the display panel is closed and turns it back on when the panel is opened. You can specify the setting in the <i>When I close the lid</i> item of the <i>System Power Mode</i> window in Power Saver.						
Auto power on	This feature lets you set a time and date for the computer to turn on automatically. The feature is useful for receiving remote communications while you are asleep or away. You can specify the setting in Scheduled Tasks.						
Standby	If you have to interrupt your work, you can turn off the power without exiting from your software. Data is maintained in the computer's main memory. When you turn on the power again, you can continue working right where you left off.						
Hibernation	This feature lets you turn off the power without exiting from your software. The contents of main memory is saved to the hard disk, when you turn on the power again, you can continue working right where you left off.						
Heat dispersal	<p>To protect from overheating, the CPU has an internal temperature sensor. If the computer's internal temperature rises to a certain level, the cooling fan is turned on or the processing speed is lowered. Use the <i>Fan</i> item of the <i>Power Save Modes</i> window in Power Saver.</p> <table border="0"> <tr> <td data-bbox="501 943 642 997">Maximum Performance</td> <td data-bbox="673 943 934 1023">Turns on fan first, then if necessary lowers CPU processing speed.</td> </tr> <tr> <td data-bbox="501 1034 642 1061">Performance</td> <td data-bbox="673 1034 1003 1114">Uses a combination of fan and lowering the CPU processing speed.</td> </tr> <tr> <td data-bbox="501 1125 609 1179">Battery optimised</td> <td data-bbox="673 1125 983 1204">Lowers the CPU processing speed first, then if necessary turns on the fan.</td> </tr> </table>	Maximum Performance	Turns on fan first, then if necessary lowers CPU processing speed.	Performance	Uses a combination of fan and lowering the CPU processing speed.	Battery optimised	Lowers the CPU processing speed first, then if necessary turns on the fan.
Maximum Performance	Turns on fan first, then if necessary lowers CPU processing speed.						
Performance	Uses a combination of fan and lowering the CPU processing speed.						
Battery optimised	Lowers the CPU processing speed first, then if necessary turns on the fan.						

Utilities

This section describes preinstalled utilities and tells how to start them. For details on operations, refer to each utility's online manual, help files or readme files.

TOSHIBA Power Saver	To access this power savings management program in Windows 2000, open the Control Panel and double-click the TOSHIBA Power Saver icon. In Windows XP, open the Control Panel, click Performance and Maintenance and click the TOSHIBA Power Saver icon.
HW Setup	This program lets you customize your hardware settings according to the way you work with your computer and the peripherals you use. To start the utility in Windows 2000, open the Control Panel and double-click the TOSHIBA HW Setup icon. In Windows XP, open the Control Panel, click Printers and Other Hardware and click the TOSHIBA HW Setup icon.
Supervisor Password Utility for Windows	This utility for Windows lets you register a Supervisor Password, which restricts access to HW Setup.
DVD Video Player	The DVD Video Player is used to play DVD-Video. It has an on-screen interface and functions. Click Start, point to Programs, point to InterVideo WinDVD, then click InterVideo WinDVD. This software is only available on DVD models.
Display Driver for Windows	The display driver enables simultaneous display on the internal LCD, and on an external computer monitor or television set. To enable this function, use the Display Properties dialog box.
Sound driver	A broad range of audio controls are possible through the YAMAHA sound driver, including Software Synthesize, Mic volume and Power management. Click Start, point to Settings, click Control Panel and double click the YAMAHA AC-XG icon to adjust power management settings. For other sound settings, use the Windows Device Manager, Multimedia panel or volume control dial.
LAN driver	This preinstalled driver makes the computer LAN-ready for a computer running Windows®2000. To make LAN settings, click Start, point to Settings, click Control Panel and double-click the Network icon.

TOSHIBA Accessibility	This utility lets you make the Fn key sticky, that is, you can press it once, release it, and then press an “F number” key. The Fn key remains active until another key is pressed.
Hotkey utility	This utility lets you display or hide a confirmation message when you press Fn + F3 or Fn + F4 .

Options

You can add a number of options to make your computer even more powerful and convenient to use. The following options are available:

Memory expansion	Two memory expansion slots are available for installing 128 or 256 MB memory modules.
Main battery pack	An additional battery pack (PA3191*) can be purchased from your TOSHIBA dealer. The battery pack is identical to the one that came with your computer. Use it as a spare or replacement.
AC adaptor	If you use your computer at more than one site, it may be convenient to purchase an additional AC adaptor for each site so you will not have to carry the adaptor with you.
USB diskette drive	A 3 ½" diskette drive accommodates 1.44-megabyte or 720-kilobyte diskettes. It connects to a USB port. (Windows® XP does not support 720-kilobyte diskettes.)
Battery charger	The battery charger lets you charge extra batteries outside the computer.
Security lock	A slot is available to attach a security cable to the computer to deter theft.
Advanced Port Replicator	The Advanced Port Replicator offers the following ports: Parallel and serial port, PS/2 mouse and PS/2 keyboard ports, a digital visual interface (DVI) port, i.LINK™ (IEEE1394) port, two USB ports and an external monitor port, line-in jack and line-out jack, a modem jack and a LAN jack.



The TOSHIBA TE2100 does not support the DVI and i.LINK ports on the Advanced Port Replicator.

Slim SelectBay options

The following modules can be installed in the Slim SelectBay:CD-ROM drive, DVD-ROM drive, CD-R/CD-RW drive, CD-RW/DVD-ROM drive , Slim SelectBay HDD adaptor or Slim SelectBay 2nd battery pack.

CD-ROM	Refer to the <i>Features</i> section for details.
DVD-ROM	Refer to the <i>Features</i> section for details.
CD-R/RW	Refer to the <i>Features</i> section for details.
CD-RW/DVD-ROM	Refer to the <i>Features</i> section for details.
Slim SelectBay HDD adaptor	An adaptor lets you install an optional HDD described in Chapter 8, <i>Optional Devices</i> .
Slim SelectBay 2nd battery pack	The secondary battery increases your computer's battery power and operating time when a main battery is also installed.

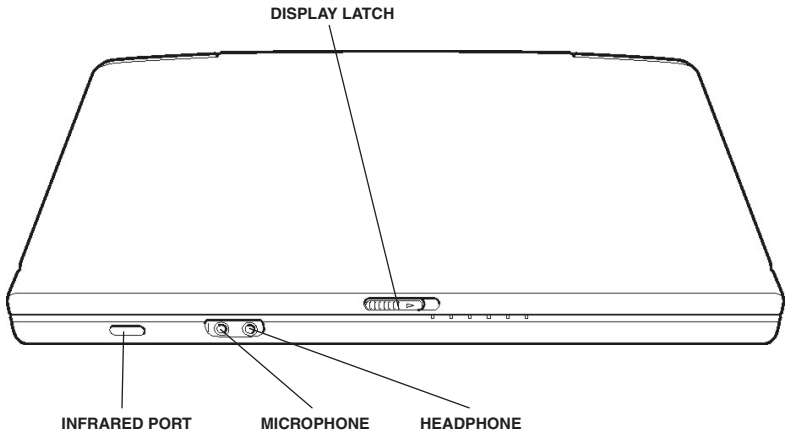
Chapter 2

The Grand Tour

This chapter identifies the various components of your computer. Become familiar with each component before you operate the computer.

Front with the display closed

The figure below shows the computer's front with its display panel in the closed position.



Front of the computer with display closed

Display latch

This latch secures the LCD panel in its closed position. Slide the latch to open the display.



Microphone jack

A standard 3.5 mm mini microphone jack enables connection of a monaural microphone or other device for audio input.



Headphone jack

A standard 3.5 mm mini headphone jack enables connection of a stereo headphone (16 ohm minimum) or other device for audio output. When you connect headphones, the internal speakers are automatically disabled.

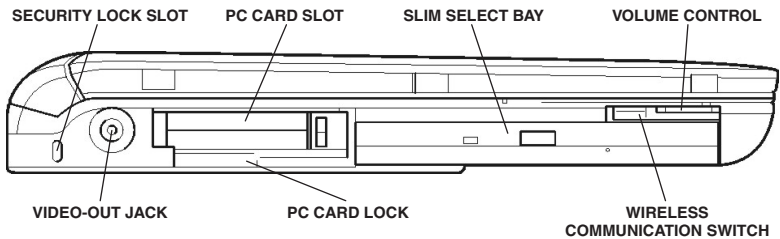


Infrared port

This infrared port is compatible with Infrared Data Association (IrDA 1.1) standards. It enables cableless 4 Mbps, 1.152 Mbps, 115.2 Kbps, 57.6 Kbps, 38.4 Kbps, 19.2 Kbps or 9.6 Kbps data transfer with IrDA 1.1 compatible external devices.

Left side

The figure below shows the computer's left side.



The left side of the computer



Security lock slot

A security cable attaches to this slot. The optional security cable anchors your computer to a desk or other large object to deter theft.



Video-out jack

Plug an RCA video connector into this jack.



PC card slot

A PC card slot can accommodate two 5 mm PC cards (Type II) or one 10.5 mm PC card (Type III). The slot supports 16-bit PC cards and CardBus PC cards.

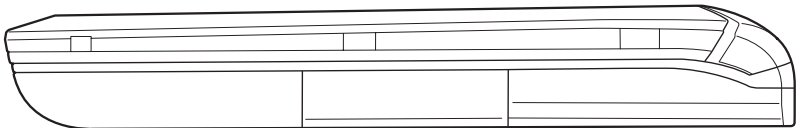


Keep foreign objects out of the PC card slot. A pin or similar object can damage the computer's circuitry.

	PC card lock	This lock prevents removal of a PC card when it is in the lock position and a security cable is attached.
	Wireless communication switch	Slide this switch toward the back of the computer to turn on Wireless LAN. Slide it toward the front of the computer to turn off the functions.
	Volume control	Use this dial to adjust the volume of the system speakers and headphones.

Right side

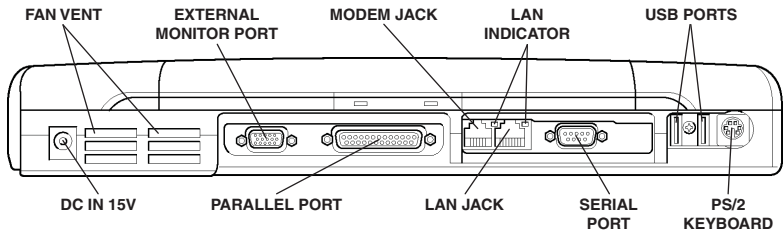
The figure below shows the computer's right side.



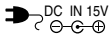
The right side of the computer

Back side

The figure below shows the computer's back side.



The computer's back side



DC IN 15V

The AC adaptor connects to this socket. Use only the model of AC adaptor that comes with the computer. Using the wrong adaptor can damage your computer.

Fan vent

Provides air flow for the fan.



Be careful not to block the fan vent. Also be careful to keep foreign objects out of the vents. A pin or similar object can damage the computer's circuitry.



External monitor port This 15-pin port lets you connect an external monitor.



Parallel port This Centronics-compatible, 25-pin parallel port is used to connect a parallel printer or other parallel device. This port supports Extended Capabilities Port (ECP) standard.

**Modem jack**

There is a modem jack that lets you use a modular cable to connect the modem directly to a telephone line.



In case of a lightning storm, unplug the modem cable from the telephone jack.

Do not connect the modem to a digital telephone line. A digital line will damage the modem.

**LAN jack**

This jack lets you connect to a LAN. The adaptor has built-in support for Ethernet LAN (10 megabits per second, 10BASE-T) and Fast Ethernet LAN (100 megabits per second, 100BASE-Tx).

LAN indicator

This indicator glows green when the computer is accessing the LAN.

**Serial port**

Use this 9-pin port to connect external serial devices such as an external modem, a serial mouse or printer.

**Universal Serial Bus ports**

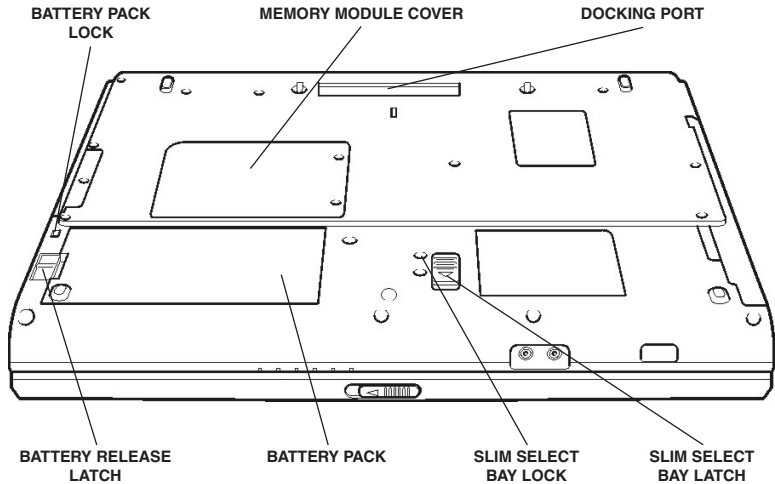
Two Universal Serial Bus (USB) ports enable chain connection of a number of USB-equipped devices to one port on your computer. For example, you might connect a USB-HUB to the computer, then connect a keyboard to the USB-HUB and a mouse to the keyboard.

**PS/2 keyboard/
mouse port**

Use this port to connect an external PS/2 compatible keyboard or mouse. The computer automatically recognises which device you have connected when you turn on the power.

Underside

The figure below shows the underside of the computer. Make sure the display is closed before turning over your computer.



The underside of the computer



Docking port

Use this port to connect an optional Advanced Port Replicator



Keep foreign objects out of the docking port. A pin or similar object can damage the computer's circuitry.

Docking holes

These holes ensure a proper connection between the computer and an optional Advanced Port Replicator.

Battery pack The battery pack powers the computer when the AC adaptor is not connected. The *Batteries* section in Chapter 6, *Power and Power-Up Modes*, describes how to access the battery pack. Additional battery packs can be purchased from your TOSHIBA dealer to extend the computer's battery operating time.



Battery pack lock Slide this lock to release or secure the battery pack.



Battery release latch Slide this latch to release the battery pack.



Memory module cover This cover protects the two memory module sockets.



Slim SelectBay lock There are two screw holes next to the Slim SelectBay latch. One screw is initially set in the front hole, which is the unlock position. To lock the Slim SelectBay latch, set the screw in the back hole.



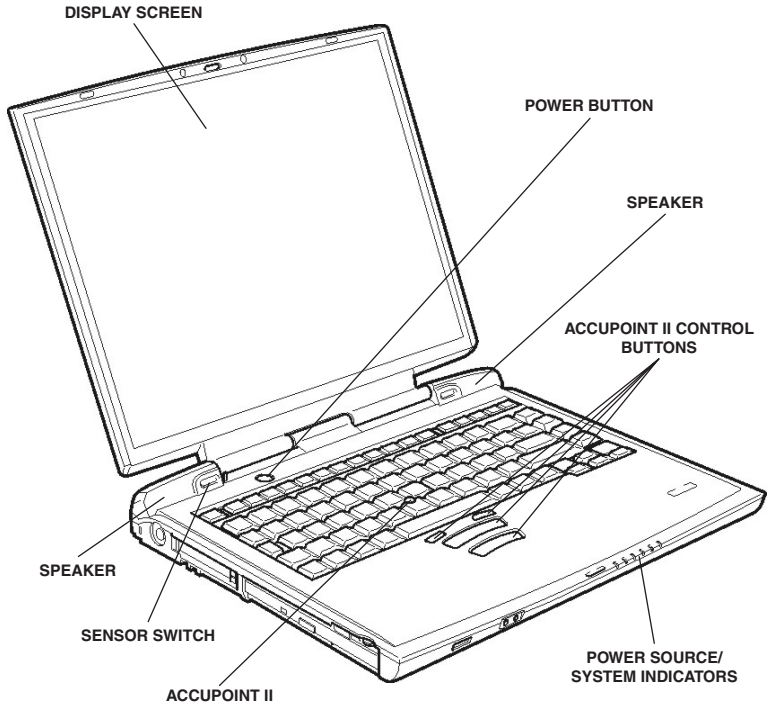
Use a point size 0 Phillips screwdriver.




Slim SelectBay latch Slide this latch to free the Slim SelectBay for removal.

Front with the display open

The figure below shows the front of the computer with the display open. To open the display, slide the display latch on the front of the computer and lift the display up. Position the display at a comfortable viewing angle.

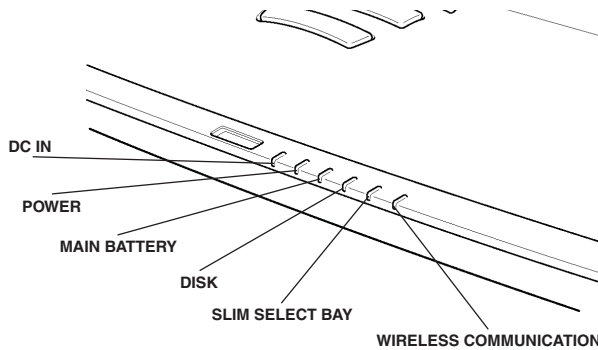


The front with the display open

Display screen	<p>The full-colour LCD displays high-contrast text and graphics and is compatible with the industry standard eXtended Graphics Array (XGA). The LCD consists of up to 1024 × 768 pixels or dots. The computer has a Thin-Film Transistor (TFT) display. Refer to Appendix E.</p> <p>When the computer operates on power through the AC adaptor, the display screen's image will be somewhat brighter than when it operates on battery power. The lower brightness level is intended to save battery power.</p>
 Power button	<p>Press the power button to turn the computer's power on and off.</p>
AccuPoint II	<p>A pointer control device located in the centre of the keyboard is used to control the on-screen pointer. Refer to the AccuPoint II section in Chapter 4, <i>Operating Basics</i>.</p>
AccuPoint II control buttons	<p>Control buttons below the keyboard let you select menu items or manipulate text and graphics designated by the on-screen pointer.</p>
Speakers	<p>The speakers emit sound generated by your software as well as audio alarms, such as low battery condition, generated by the system.</p>
Power source/ system indicators	<p>LEDs let you monitor the status of various computer functions. Details are given in the <i>Indicators</i> section.</p>
Sensor switch	<p>This switch shuts down the computer when you close the cover and the panel power on/off feature is enabled.</p>

Indicators

The figure below shows the indicators, which light when various computer operations are in progress.



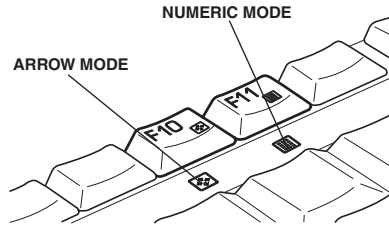
The power source/system indicators

Power source/system indicators

	DC IN	The DC IN indicator glows green when DC power is supplied from the AC power adaptor. If the adaptor's output voltage is abnormal or if the power supply malfunctions, this indicator flashes orange.
	Power	The Power indicator glows green when the computer is on. If you turn off the computer in Resume mode, this indicator blinks orange (one second on, two seconds off) while the computer shuts down.
	Main battery	The Main battery indicator shows the condition of the charge. Green means fully charged and orange means being charged. Refer to Chapter 6, <i>Power and Power-Up Modes</i> .
	Disk	The Disk indicator glows green when the computer is accessing a disk drive.
	Slim SelectBay	The Slim SelectBay indicator glows green when the computer is accessing a CD-ROM drive, DVD-ROM drive, CD-R/RW drive, CD-RW/DVD-ROM drive, Slim SelectBay HDD adaptor or secondary battery pack in the Slim SelectBay. When the secondary battery is charging, the indicator glows orange.
	Wireless communication	The Wireless communication indicator glows orange when the Wireless LAN function is turned on.

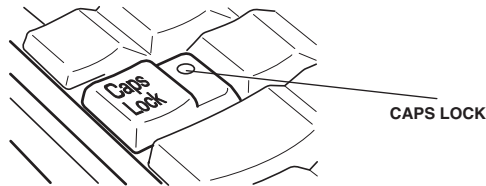
The figures below show the positions of the keypad overlay indicators and the CapsLock indicator.

When the F11 key indicator glows the keypad overlay lets you enter numbers. When the F10 key indicator glows the keypad overlay lets you control the cursor.





Keypad overlay indicators

When the CapsLock indicator glows the keyboard is in all-caps mode.



CapsLock indicator

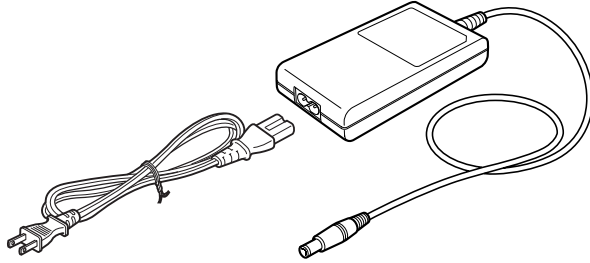
Keyboard indicator

Caps Lock	This indicator glows green when the alphabet keys are locked in uppercase.
	Arrow mode When the Arrow mode indicator lights green, you can use the keypad overlay (white labelled keys) as cursor keys. Refer to the <i>Keypad overlay</i> section in Chapter 5, <i>The Keyboard</i> .
	Numeric mode You can use the keypad overlay (white labelled keys) for numeric input when the Numeric mode indicator lights green. Refer to the <i>Keypad overlay</i> section in Chapter 5, <i>The Keyboard</i> .

AC adaptor

The AC adaptor converts AC power to DC power and reduces the voltage supplied to the computer. It can automatically adjust to any voltage from 100 to 240 volts and to a frequency of either 50 or 60 hertz, enabling you to use the computer in almost any region.

To recharge the battery, simply connect the AC adaptor to a power source and the computer. See Chapter 6 *Power and Power-Up Modes* for details.



The AC adaptor



Use of the wrong adaptor could damage your computer. TOSHIBA assumes no liability for any damage in such case. The current rating for the computer is 5.0 amperes.

Slim SelectBay modules

The Slim SelectBay can accommodate the following modules: DVD-ROM drive, CD-ROM drive, optional CD-R/RW drive, optional CD-RW/DVD-ROM drive, optional Slim SelectBay HDD adaptor and optional Slim SelectBay 2nd battery pack.

DVD-ROM drive

A full-size DVD-ROM drive module lets you run either 12 cm (4.72") or 8 cm (3.15") digital video disk/compact disk without using an adaptor. It may be selected as a standard component or as an option.



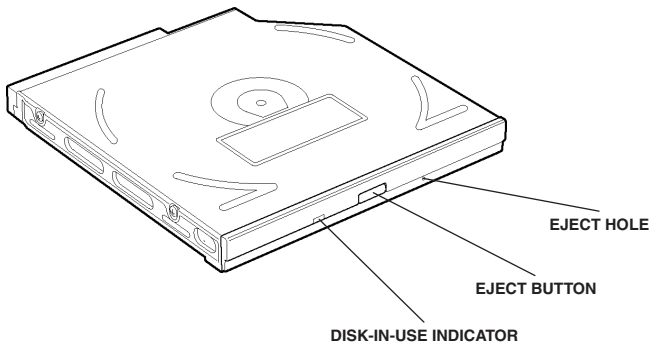
The read speed is slower at the centre of a disk and faster at the outer edge. The maximum (outer edge) speeds for DVDs and CDs are:

DVD 8 speed (maximum)

CD 24 speed (maximum)

This drive supports the following formats:

- | | |
|--------------|-----------------------------|
| ■ DVD-ROM | ■ DVD-Video |
| ■ Photo CD | ■ CD-R (read only) |
| ■ CD-ROM | ■ CD-Rewritable (read only) |
| ■ CD-ROM x A | ■ CD-DA |
| ■ CD-EXTRA | ■ CD-Text |



The optical media device

Disk-In-Use Indicator This indicator lights when the CD/DVD is being accessed.

Eject button Press the eject button to open the drawer partially.

Eject hole Insert a slender object to open the drawer when the power to the computer is off.



*Check the **Slim SelectBay** indicator when you use the DVD-ROM drive. Do not press the eject button, disconnect a drive or turn off the computer while the light is glowing. Doing so could damage the DVD/CD or the drive.*

DVD-ROM drives and media are manufactured according to the specifications of six marketing regions. When you purchase DVD media, make sure it matches your drive, otherwise it will not play properly.

Code	Region
-------------	---------------

1	Canada, United States
---	-----------------------

2	Japan, Europe, South Africa, Middle East
---	--

3	Southeast Asia, East Asia
---	---------------------------

4	Australia, New Zealand, Pacific Islands, Central America, South America, Caribbean
---	--

5	Russia, Indian Subcontinent, Africa, North Korea, Mongolia
---	--

6	China
---	-------

CD-ROM drive

A full-size, maximum 24-speed CD-ROM drive module lets you run either 12 cm (4.72") or 8 cm (3.15") compact disks without using an adaptor. It may be selected as a standard component or as an option.

This drive supports the following formats:

- Photo CD
- CD-ROM
- CD-DA
- CD-ROM x A Mode 2 (Form1, Form2)
- CD-R (read only)
- CD-Rewritable (read only)
- CD-Text
- Enhanced CD (CD-EXTRA)



The physical features of this drive are similar to those of the DVD-ROM drive. Refer to the illustration in the DVD-ROM drive section.



*Check the **Slim SelectBay** indicator when you use the CD-ROM drive. Do not press the eject button, disconnect a drive or turn off the computer while the light is glowing. Doing so could damage the CD or the drive.*

CD-R/RW drive

An optional full-size CD-R/RW drive module lets you record data to rewritable CDs as well as run either 12 cm (4.72") or 8 cm (3.15") CDs without using an adaptor.



The read speed is slower at the centre of a disk and faster at the outer edge.

CD, CD-R read	24 speed (maximum)
CD-RW read	14 speed (maximum)
CD-R write	8 speed (maximum)
CD-RW write	8 speed (maximum)

This drive supports the following formats:

- Photo CD
- CD-ROM
- CD-DA
- CD-ROM x A Mode 2 (Form1, Form2)
- CD-R
- CD-Rewritable
- CD-Text
- Enhanced CD (CD-EXTRA)

CD-R describes compact disks that can be written only once. The recorded data cannot be erased or changed. Use 8-speed CD-R disks.

CD-RW describes compact disks that can be recorded more than once. Use either 1, 2, or 4 multi speed CD-RW disks or high-speed 4- to 10-speed disks. The write speed of the high-speed CD-RW disks is maximum 8-speed.

- Use the software that comes with your CD-R/RW drive to write compact disks.



The physical features of this drive are similar to those of the DVD-ROM drive. Refer to the illustration in the DVD-ROM drive section.



*Check the **Slim SelectBay** indicator when you use the CD-R/RW drive. Do not press the eject button, disconnect a drive or turn off the computer while the light is glowing. Doing so could damage the CD or the drive.*

CD-RW/DVD-ROM drive

The full-size CD-RW/DVD-ROM drive module lets you record data to rewritable CDs as well as run either 12 cm (4.72") or 8 cm (3.15") CD/DVDs without using an adaptor. The computer is configured with either a DVD-ROM drive or CD-RW/DVD-ROM drive.



The read speed is slower at the centre of a disk and faster at the outer edge.

DVD read	8 speed (maximum)
CD read	24 speed (maximum)
CD-R write	8 speed (maximum)
CD-RW write	8 speed (maximum)

This drive supports the following formats:

- DVD-ROM
- Photo CD
- CD-ROM
- CD-DA
- CD-ROM x A Mode 2 (Form1, Form2)
- DVD-Video
- CD-R
- CD-Rewritable
- CD-Text
- Enhanced CD (CD-EXTRA)

CD-R describes compact disks that can be written only once. The recorded data cannot be erased or changed. Use 8-speed CD-R disks.

CD-RW describes compact disks that can be recorded more than once. Use either 1, 2, or 4 multi speed CD-RW disks or high-speed 4- to 10-speed disks. The write speed of the high-speed CD-RW disks is a maximum 8-speed.

- Use the software that comes with your CD-RW/DVD-ROM drive to write compact disks.



The physical features of this drive are similar to those of the DVD-ROM drive. Refer to the illustration in the DVD-ROM drive section.



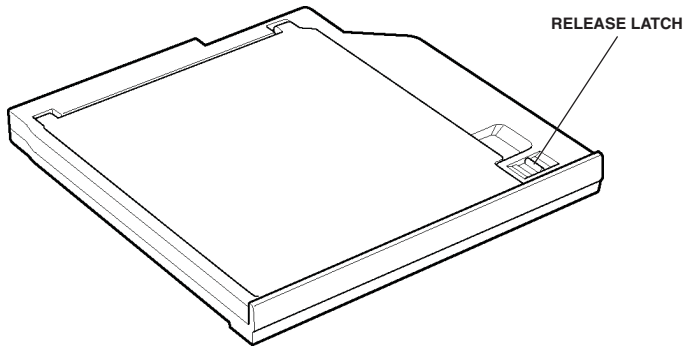
*Check the **Slim SelectBay** indicator when you use the CD-RW/DVD-ROM drive. Do not press the eject button, disconnect a drive or turn off the computer while the light is glowing. Doing so could damage the CD/DVD or the drive.*

CD-RW/DVD-ROM drives and media are manufactured according to the specifications of six marketing regions. When you purchase DVD media, make sure it matches your drive, otherwise it will not play properly.

Code	Region
1	Canada, United States
2	Japan, Europe, South Africa, Middle East
3	Southeast Asia, East Asia
4	Australia, New Zealand, Pacific Islands, Central America, South America, Caribbean
5	Russia, Indian Subcontinent, Africa, North Korea, Mongolia
6	China

Slim SelectBay HDD adaptor

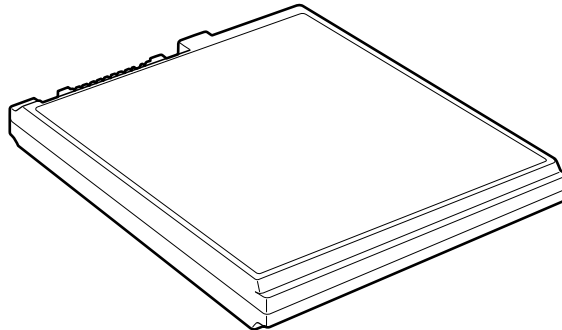
You can increase your computer's data storage capacity by installing an optional, integrated, 2 ½" HDD in the Slim SelectBay.



The Slim SelectBay HDD adaptor

Slim SelectBay 2nd battery pack

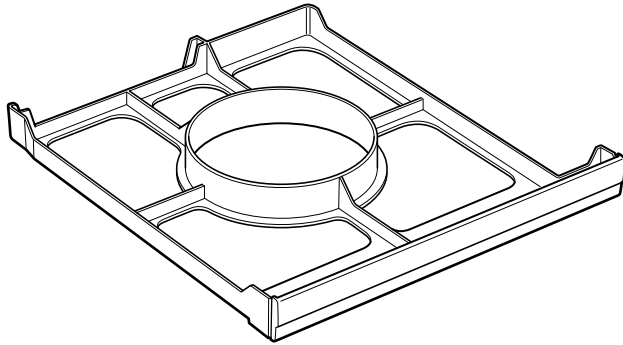
An optional battery pack can be installed in the Slim SelectBay to increase the computer's battery power and operating time. For details, refer to the documentation accompanying the secondary battery pack. Refer to Chapter 8, *Optional Devices*, for details on installing a Slim SelectBay 2nd battery pack.



The Slim SelectBay 2nd battery pack

Weight saver

Installing a weight saver module in the Slim SelectBay lets you reduce the carrying weight of the computer.



The weight saver

Getting Started

This chapter provides basic information to get you started using your computer. It covers the following topics:

- Setting up your work space — for your health and safety



Be sure also to read the Safety Instruction Manual. This guide, which is included with the computer, explains product liability.

- Opening the display
- Connecting the AC adaptor
- Turning on the power
- Turning off the power
- Restarting the computer
- Restoring your preinstalled software

If you are a new user, follow the steps in each section of this chapter as you prepare to operate your computer.

Setting up your work space

Establishing a comfortable work site is important for you and your computer. A poor work environment or stressful work habits can result in discomfort or serious injury from repetitive strain to your hands, wrists or other joints. Proper ambient conditions should also be maintained for the computer's operation. This section discusses the following topics:

- General conditions
- Placement of the computer and peripheral devices
- Seating and posture
- Lighting
- Work habits

General conditions

In general, if you are comfortable, so is your computer, but read the following to make sure your work site provides a proper environment.

- Make sure there is adequate space around the computer for proper ventilation.
- Make sure the AC power cord connects to an outlet that is close to the computer and easily accessible.
- The temperature should be 5 to 35 degrees Centigrade (41 to 95 degrees Fahrenheit) and the relative humidity should be 20 to 80 percent.
- Avoid areas where rapid or extreme changes in temperature or humidity may occur.
- Keep the computer free of dust, moisture, and exposure to direct sunlight.
- Keep the computer away from heat sources, such as electric heaters.
- Do not use the computer near liquids or corrosive chemicals.
- Do not place the computer near objects that create strong magnetic fields (e.g., stereo speakers).
- Do not operate the computer in close proximity to a mobile phone.

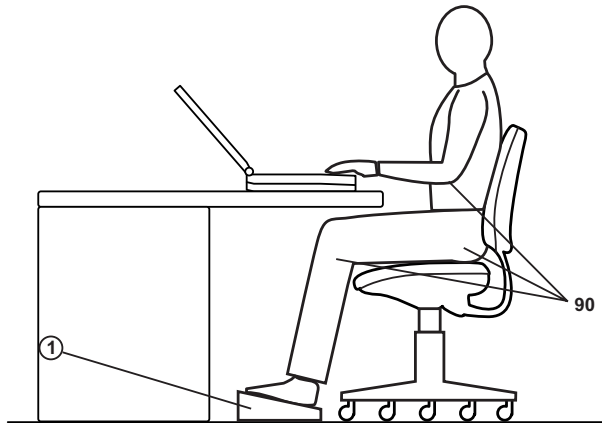
Placement of computer

Position the computer and peripheral devices to provide comfort and safety.

- Set the computer on a flat surface at a comfortable height and distance. The display should be no higher than eye level to avoid eye strain.
- Place the computer so that it is directly in front of you when you work and make sure you have adequate space to easily operate other devices.
- Allow adequate space behind the computer to let you freely adjust the display. The display should be angled to reduce glare and maximise visibility.
- If you use a paper holder, set it at about the same height and distance as the computer.

Seating and posture

The height of your chair in relation to the computer and keyboard as well as the support it gives your body are primary factors in reducing work strain. Refer to the following tips and to the figure below.



Posture and positioning of the computer

- Place your chair so that the keyboard is at or slightly below the level of your elbow. You should be able to type comfortably with your shoulders relaxed.
- Your knees should be slightly higher than your hips. If necessary, use a foot rest (1) to raise the level of your knees to ease pressure on the back of your thighs.
- Adjust the back of your chair so it supports the lower curve of your spine.
- Sit straight so that your knees, hips and elbows form approximately 90 degree angles when you work. Do not slump forward or lean back too far.

Lighting

Proper lighting can improve legibility of the display and reduce eye strain.

- Position the computer so that sunlight or bright indoor lighting does not reflect off the screen. Use tinted windows, shades or other screen to eliminate sun glare.
- Avoid placing the computer in front of bright light that could shine directly in your eyes.
- If possible, use soft, indirect lighting in your computer work area. Use a lamp to illuminate your documents or desk, but be sure to position the lamp so that it does not reflect off the display or shine in your eyes.

Work habits

A key to avoiding discomfort or injury from repetitive strain is to vary your activities. If possible, schedule a variety of tasks into your work day. If you must spend long periods at the computer, finding ways to break up the routine can reduce stress and improve your efficiency.

- Sit in a relaxed posture. Good positioning of your chair and equipment as described earlier can reduce tension in your shoulders or neck and ease back strain.
- Vary your posture frequently.
- Occasionally stand up and stretch or exercise briefly.
- Exercise and stretch your wrists and hands a number of times during the day.
- Frequently, look away from the computer and focus your eyes on a distant object for several seconds, for example 30 seconds every 15 minutes.
- Take frequent short breaks instead of one or two long breaks, for example, two or three minutes every half hour.
- Have your eyes examined regularly and visit a doctor promptly, if you suspect you might be suffering from a repetitive strain injury.

A number of books are available on ergonomics and repetitive strain injury or repetitive stress syndrome. For more information on these topics or for pointers on exercises for such stress points as hands and wrists, please check with your library or book vendor. Also refer to the computer's *Instruction Manual for Safety & Comfort*.

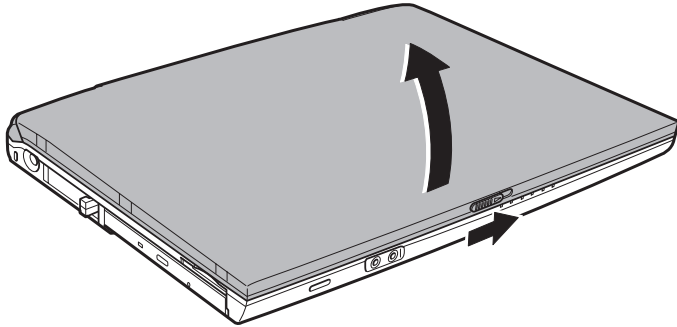
Opening the display

The display panel can be rotated in a wide range of angles for optimal viewing.

1. Slide the display latch on the front of the computer to the right to unlatch the display panel.
2. Lift the panel up and adjust it to the best viewing angle for you.



When you open the display, hold it with both hands and lift up slowly.



Opening the display panel

Connecting the AC adaptor

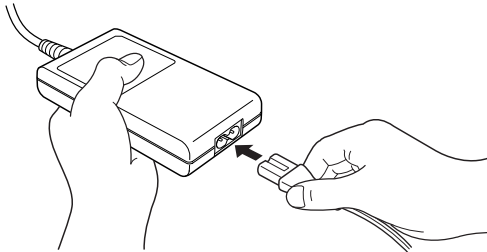
Attach the AC adaptor when you need to charge the battery or you want to operate from AC power. It is also the fastest way to get started, because the battery pack will need to be charged before you can operate from battery power.

The AC adaptor can be connected to any power source supplying from 100 to 240 volts and 50 or 60 hertz. For details on using the AC adaptor to charge the battery pack, refer to Chapter 6, *Power and Power-Up Modes*.



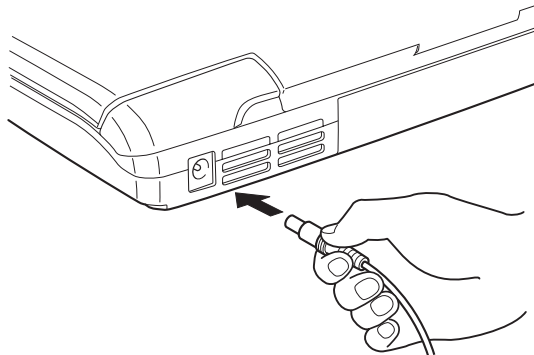
Use of the wrong adaptor could damage your computer. TOSHIBA assumes no liability for any damage in such case. The current rating for the computer is 5.0 amperes.

1. Connect the power cord to the AC adaptor.



Connecting the power cord to the AC adaptor

2. Connect the AC adaptor's DC output plug to the **DC IN** port on the back side of the computer.



Connecting the adaptor to the computer

3. Plug the power cord into a live wall outlet. The **Battery** and **DC IN** indicator on the front of the computer should glow.

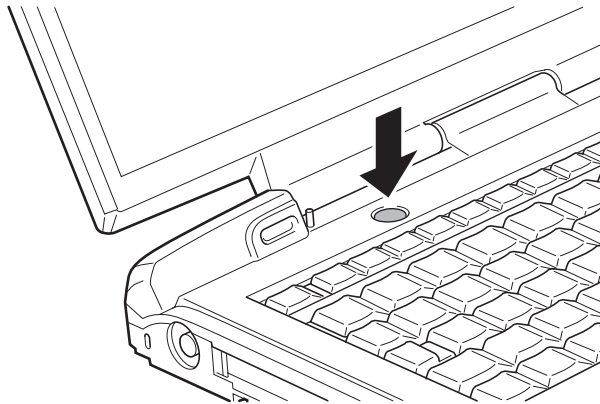
Turning on the power

This section describes how to turn on the power.



After you turn on the power for the first time, do not turn it off until you have set up the operating system (OS) and the OS has started up.

1. If an external diskette drive is connected, make sure it is empty. If a diskette is in the drive, press the eject button and remove the diskette.
2. Open the display panel.
3. Press and hold the button for two or three seconds.



Turning on the power

Turning off the power

The power can be turned off in one of the following modes: Shut down (Boot), Hibernation or Standby mode.

Shut Down mode (Boot mode)

When you turn off the power in Shut Down mode, no data is saved and the computer will boot to the operating system's main screen.

1. If you have entered data, save it to the hard disk or to a diskette.
2. Make sure all disk activity has stopped, then remove any CDs or diskette.



Make sure the Disk, Slim Select Bay and Slim Select Bay's module indicators are off. If you turn off the power while a disk is being accessed, you can lose data or damage the disk.

3. If you are using Windows®XP, click start then click Turn off computer. From the **Turn off computer** menu select **Turn off**.
If you are using Windows®2000, click Start and click Shut Down. From the **Shut Down** menu select **Shut Down**.
4. Turn off the power to any peripheral devices.



Do not turn the computer or devices back on immediately. Wait a moment to let all capacitors fully discharge.

Hibernation mode

The hibernation feature saves the contents of memory to the hard disk when the computer is turned off. The next time the computer is turned on, the previous state is restored. The hibernation feature does not save the status of peripheral devices.



*While entering hibernation mode, the computer saves the contents of memory to the HDD. Data will be lost if you remove the battery or disconnect the AC adaptor before the save is completed. Wait for the **Disk** indicator to go out.*

Do not install or remove a memory module while the computer is in hibernation mode. Data will be lost.

Benefits of hibernation

The hibernation feature provides the following benefits:

- Saves data to the hard disk when the computer automatically shuts down because of a low battery.



For the computer to shut down in hibernation mode, the hibernation feature must be enabled in two places in TOSHIBA Power Saver: the Hibernate window and the Battery Alarm item of the Alarm window. Otherwise, the computer will shut down in Standby mode. If battery power becomes depleted, data saved in Standby will be lost.

- You can return to your previous working environment immediately when you turn on the computer.
- Saves power by shutting down the system when the computer receives no input or hardware access for the duration set by the System hibernate feature.
- You can use the panel power off feature.

Starting Hibernation

To enter Hibernation mode, follow the steps below.

Windows®XP

1. Click **Start**.
2. Select **Turn Off Computer**.
3. Open the **Turn Off Computer** dialog box. **Hibernate** is not displayed.
4. Press the **Shift** key. The **Standby** item will change to **Hibernate**.
5. Select **Hibernate**.

Windows®2000

1. Click **Start** and click **Shut Down**.
2. In **Shut Down Windows** select **Hibernate** and click the **OK** button.

Automatic Hibernation

The computer will enter Hibernation mode automatically when you press the power button or close the lid. First, however, make the appropriate settings according to the steps below.

1. Open the **Control Panel**.
2. a. In Windows®XP, open **Performance and Maintenance** and open **TOSHIBA Power Saver**.
b. In Windows®2000, double-click the **TOSHIBA Power Saver** icon.
3. Select the **Hibernate** window, select the **Enable Hibernation support** check box and click the **Apply** button.
4. Select the **Power Save Modes** window.
5. Double-click **Power Mode (Full Power, Normal, etc.)** and open the **System Power Mode** window.
6. Enable the desired Hibernation settings for **When I press the power button** and **When I close the lid**.
7. Click the **OK** button.

Data save in hibernation mode

When you turn off the power in hibernation mode, the computer takes a moment to save current memory data to the hard disk. During this time, the **Built-in HDD** indicator will light.

After you turn off the computer and memory is saved to the hard disk, turn off the power to any peripheral devices.



Do not turn the computer or devices back on immediately. Wait a moment to let all capacitors fully discharge.

Standby mode

In standby mode the power remains on, but the CPU and all other devices are in sleep mode.



Before entering Standby mode, be sure to save your data.

Do not install or remove a memory module while the computer is in standby mode. The computer or the module could be damaged.

Do not remove the battery pack while the computer is in standby mode (unless the computer is connected to an AC power source). Data in memory will be lost.

If you carry the computer on board an aircraft or into a hospital, be sure to shut down the computer in hibernation mode or in shutdown mode to avoid radio signal interference.

Benefits of standby

The standby feature provides the following benefits:

- Restores the previous working environment more rapidly than does hibernation.
- Saves power by shutting down the system when the computer receives no input or hardware access for the duration set by the System Standby feature.
- You can use the panel power off feature.

Executing standby

You can enter standby mode in one of three ways:

1. In Windows®XP, click **Start**, click **Turn Off Computer** and click **Stand by**. In Windows®2000, click **Start**, click **Shut Down**, select **Stand by** and click **OK**.
2. Close the display panel. This feature must be enabled. Refer to the *System Power Mode item in Power Saver Utility* described in the Control Panel.
 - a. In Windows® XP, open **Performance and Maintenance** and open **TOSHIBA Power Saver**.
 - b. In Windows® 2000, double-click the **TOSHIBA Power Saver** icon.
3. Press the power button. This feature must be enabled. Refer to the *System Power Mode item in Power Saver Utility* described in the Control Panel.
 - a. In Windows® XP, open **Performance and Maintenance** and open **TOSHIBA Power Saver**.
 - b. In Windows® 2000, double-click the **TOSHIBA Power Saver** icon.

When you turn the power back on, you can continue where you left when you shut down the computer.



When the computer is shut down in standby mode, the power indicator glows orange.

If you are operating the computer on battery power, you can lengthen the operating time by shutting down in hibernation mode. Standby mode consumes more power.

Standby limitations

Standby will not function under the following conditions:

- Power is turned back on immediately after shutting down.
- Memory circuits are exposed to static electricity or electrical noise.

Restarting the computer

Certain conditions require that you restart the computer system. For example, if:

- You change certain computer settings.
- An error occurs and the computer does not respond to your keyboard commands.

There are three ways to restart the computer system:

1. If you are using Windows® XP, click **start** then click **Turn off computer**. From the **Turn off computer** menu select **Restart**.
If you are using Windows® 2000, click **Start** and click **Shut Down**. From the **Shut Down** menu select **Restart**.
2. Press the power button and hold it down for five seconds. Wait 10 to 15 seconds, then turn the power on again by pressing the power button.

Restoring your preinstalled software

If preinstalled files are damaged, use the Product Recovery CD-ROM or the TOSHIBA Tools & Utilities CD-ROM to restore them.

Restoring the complete system

To restore the operating system and all preinstalled software, follow the steps below.



When you reinstall the Windows operating system, the hard disk will be reformatted and all data will be lost.

1. Load the Product Recovery CD-ROM in the drive and turn off the computer's power.
2. Hold down the **C** key and turn on the power. When the TOSHIBA logo appears, release the **C** key.
3. Follow the on-screen instructions.

Restoring TOSHIBA utilities and drivers

If Windows is working properly, individual drivers or applications can be separately restored. Use the Tools & Utilities CD-ROM according to instructions in the booklet contained in the CD box to reinstall TOSHIBA utilities and drivers.

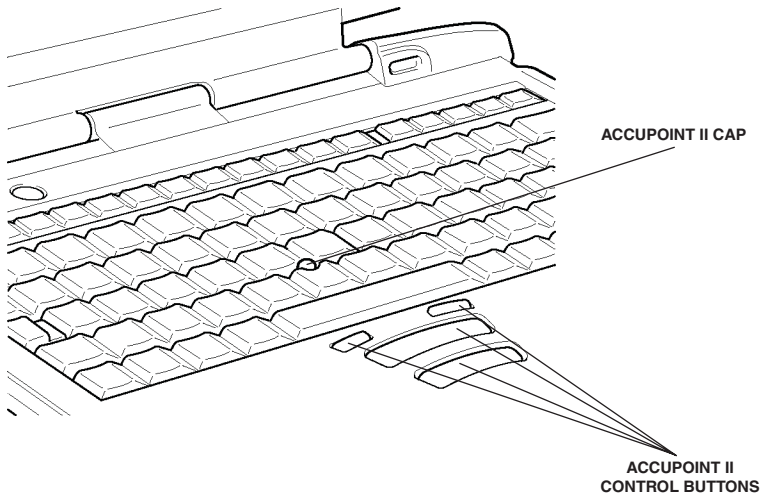
Chapter 4

Operating Basics

This chapter gives information on basic operations including using the AccuPoint II, optical media drives, the optional external diskette drive, Wireless LAN, the internal modem, the LAN and changing Slim SelectBay modules. It also provides tips on caring for your computer and heat dispersal.

Using AccuPoint II

To use the AccuPoint II, simply push it with your finger tip in the direction you want to move the on-screen pointer.



AccuPoint II and control buttons

Two large buttons below the keyboard are used like the buttons on a mouse pointer. Press a button to select a menu item or to manipulate text or graphics designated by the pointer. The left small button toggles Universal Scroll on and off. When Universal Scroll is on, use the AccuPoint to scroll the screen. The right small button works as the **Back** button on your Internet browser. You can switch the functions of the large and small buttons in the **Mouse** utility in Windows Control Panel.

AccuPoint II precautions

Certain conditions can affect the on-screen pointer when using AccuPoint II. For example, the pointer may travel contrary to AccuPoint II operation or an error message may appear, if

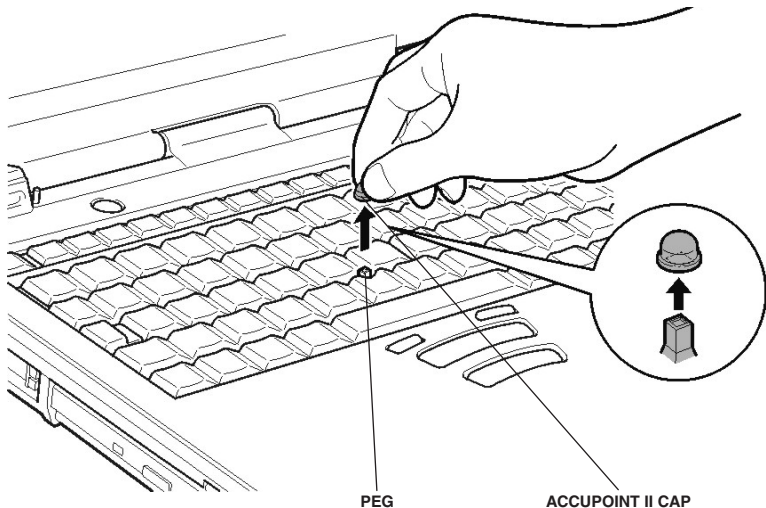
- You touch the AccuPoint II during power-up.
- You apply constant, soft pressure during power-up.
- There is a sudden temperature change.
- Strong stress is applied to the AccuPoint II.

If an error message appears, reboot the computer. If an error message does not appear, wait a moment for the pointer to stop, then continue operation.

Replacing the cap

The AccuPoint II cap is an expendable item that should be replaced after prolonged use. There is a spare AccuPoint II cap supplied with the computer.

1. To remove the AccuPoint II cap, firmly grasp the cap and pull it straight up.



Removing the AccuPoint II cap

2. Position a new cap on the peg and press it into place.



The peg is square, so be careful to align the cap's square hole with the peg.

Changing Slim SelectBay modules

This section explains how to change modules in the Slim SelectBay. The illustrations show replacement of the DVD-ROM drive with the optional Slim SelectBay HDD adaptor. Therefore, the text refers to those modules. However, the procedures are the same for any of the modules: DVD-ROM drive, CD-ROM drive, optional CD-R/RW drive, optional CD-RW/DVD-ROM drive or optional Slim SelectBay 2nd battery pack with separate tray.



To avoid injury, do not put your hand into the Slim SelectBay slot.

Removing a module

Remove the DVD-ROM drive as described below.

1. Check all disk indicators to make sure no disks are operating.
2. Turn the computer upside down.

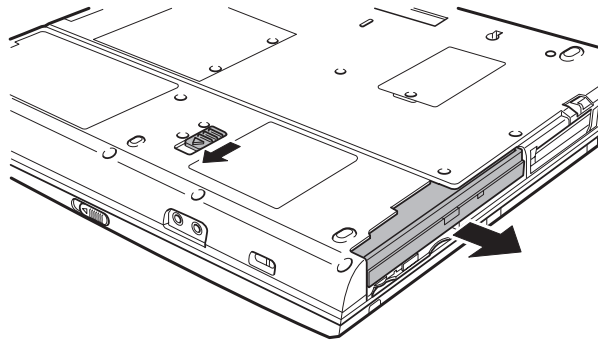


Wait for all disk indicators to go out before you turn over the computer and be careful to lay the computer down gently. Shock can damage the HDD or other components.

3. Be sure the screw of the Slim SelectBay lock is set in the front hole, which is the unlock position.
4. Slide the Slim SelectBay latch to the unlock position.
5. Grasp the DVD-ROM drive and slide it out.



The DVD-ROM drive and other Slim SelectBay modules can become hot with use. Be careful when removing the module.

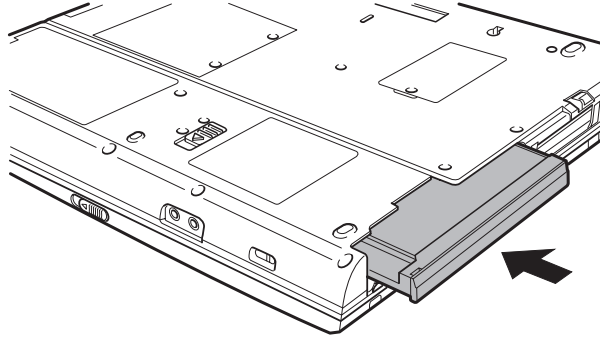


Removing the DVD-ROM drive

Installing a module

Install the Slim SelectBay HDD adaptor as described below.

1. Insert the Slim SelectBay HDD adaptor in the computer as shown below and press until the ejector clicks.
2. If you want to lock the Slim SelectBay module, set the screw of the Slim SelectBay lock in the back hole.



Installing the Slim SelectBay HDD adaptor

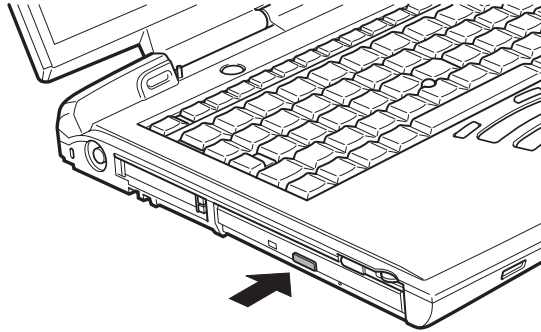
Using optical media drives

The text and illustrations in this section refer primarily to the DVD-ROM drive. However, operation is the same for the CD-ROM drive, optional CD-R/RW drive and optional CD-RW/DVD-ROM drive. The full-size drive provides high-performance execution of DVD-ROM-based programs. You can run either 12 cm (4.72") or 8 cm (3.15") compact disks/digital versatile disks without an adaptor. An ATAPI interface controller is used for CD-ROM operation. When the computer is accessing a DVD-ROM, an LED on the drive glows.

Loading CDs

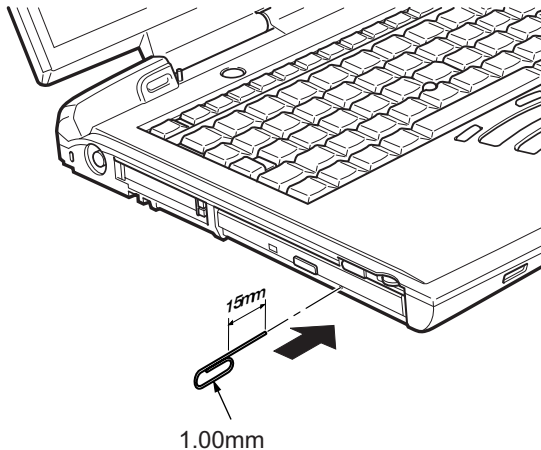
To load CDs, follow the steps below and refer to the figures below.

1. Turn on the power.
2. a. Press the eject button to open the drawer slightly.



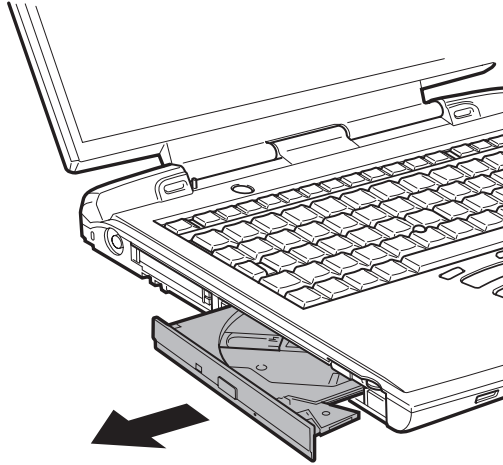
Pressing the eject button

- b. Pressing the eject button will not open the drawer when the computer's power is off. If the power is off, you can open the drawer by inserting a slender object (about 1.5 cm) such as a straightened paper clip into the eject hole just to the right of the eject button.



Manual release with the eject hole

3. Grasp the drawer gently and pull until it is fully opened.



Pulling the drawer open

4. Lay the CD, label side up, in the drawer.

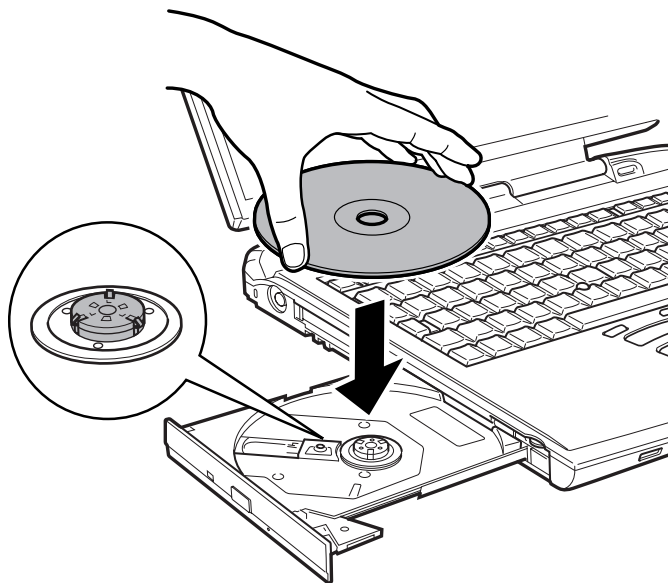


When the drawer is fully opened, the edge of the computer will extend slightly over the CD tray. Therefore, you will need to turn the CD at an angle when you place it in the tray. After seating the CD, however, make sure it lies flat.



Do not touch the laser lens. Doing so could cause misalignment. Be careful to keep foreign matter from entering the drive. Check the back edge of the tray to make sure it carries no debris before closing the drive.

5. Press gently at the centre of the CD until you feel it click into place. The CD should lie below the top of the spindle, flush with the spindle base.

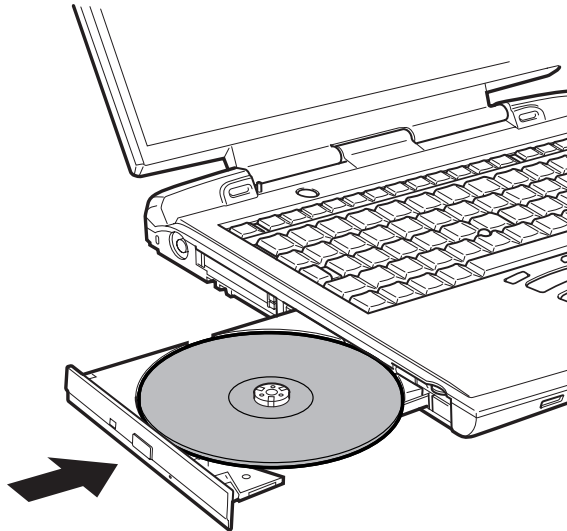


Inserting a CD

6. Push the centre of the drawer to close it. Press gently until it locks into place.



If the CD is not seated properly when the drawer is closed, the CD might be damaged. Also, the drawer might not open fully when you press the eject button.



Closing the drawer

Removing CDs

To remove the CD, follow the steps below and refer to the figure below.



Do not press the eject button while the computer is accessing the CD-ROM drive. Wait for the eject button LED to go out before you open the drawer. Also, if the CD is spinning when you open the drawer, wait for it to stop before you remove it.

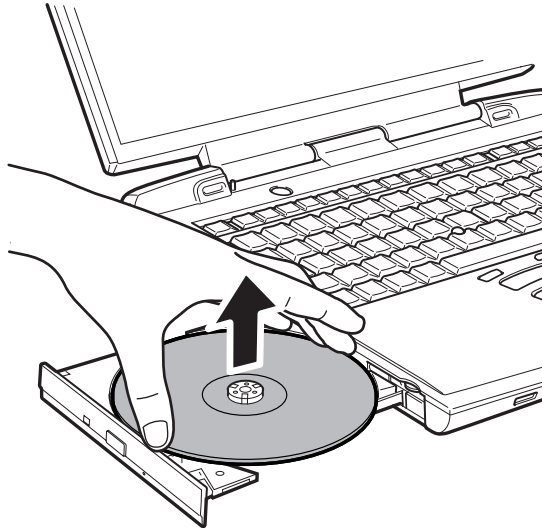
1. To pop the drawer partially open:
 - Press the eject button when the computer's power is on.
 - Insert a slender object such as a straightened paper clip into the eject hole when the power is off.

Gently pull the drawer out until it is fully opened.

- There are indentations on the sides of the drawer to let you grasp the CD. Hold it gently and lift it out.



When the drawer is fully opened, the edge of the computer will extend slightly over the CD tray. Therefore, you will need to turn the CD at an angle when you remove it.



Removing a CD

- Push the centre of the drawer to close it. Press gently until it locks into place.

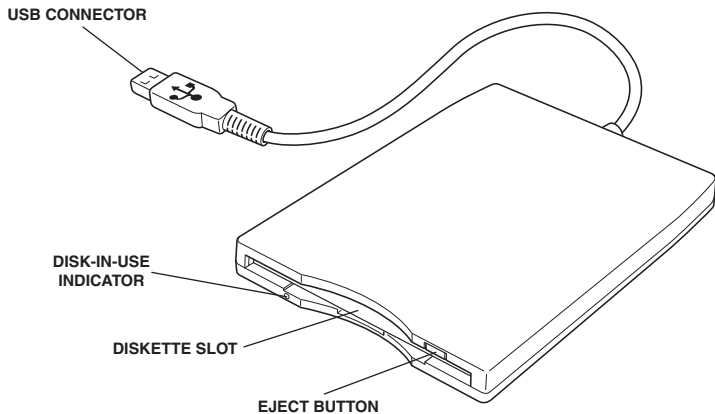
CD/DVDs care

Handle your media with care. The following simple precautions will increase the lifetime of your media and protect the data stored on them:

- Store your CD/DVDs in the container they came in to protect them and keep them clean.
- Do not bend the CD/DVD.
- Do not write on, apply a sticker to, or otherwise mar the surface of the CD/DVD that contains data.
- Hold the CD/DVD by its outside edge or the edge on the centre hole. Fingerprints on the surface may prevent the drive from properly reading data.
- Do not expose to direct sunlight, extreme heat or cold. Do not place heavy objects on your CD/DVDs.
- If your CD/DVDs become dusty or dirty, wipe them with a clean dry cloth. Wipe from the centre out, do not wipe in a circular direction around the CD/DVD. If necessary, use a cloth dampened in water or a neutral cleaner. Do not use benzine, thinner or similar cleaner.

Using the 3 ½" external diskette drive

An optional 3 ½" external diskette drive module connects to any of the computer's USB ports.



The 3 ½" external diskette drive

Eject button

When a diskette is fully seated in the drive, the eject button pops out. To remove a diskette, push in the eject button and the diskette pops out partially for easy removal.

Diskette slot

Insert diskettes in this slot.

Disk-In-Use Indicator

This indicator lights when the diskette is being accessed.



*Check the **Disk-In-Use** indicator when you use the diskette drive. Do not press the eject button, disconnect a drive cable or turn off the computer while the light is glowing. Doing so could destroy data and damage the diskette or the drive.*



The external diskette drive should be placed on a flat, horizontal surface when in use. Do not set the drive on an incline greater than 20° while it is operating.

Do not set anything on top of the diskette drive.

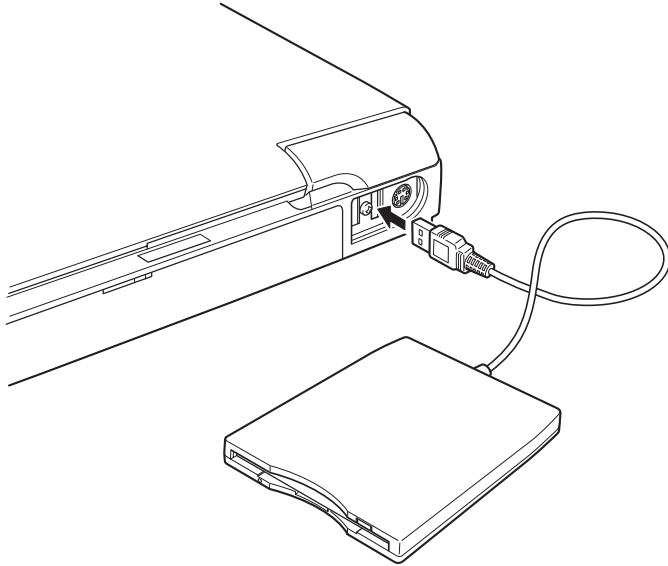
If you need to boot the computer from the diskette drive or if you use an OS that does not support USB, you must set the USB-FDD Legacy Emulation feature in HW Setup to Enabled. Refer to the USB section in Chapter 7.

Connecting the 3 1/2" diskette drive

To connect the drive, plug the diskette drive connector into a USB port. Refer to the figure below.



Make sure the connector is right side up and properly aligned with the socket. Do not try to force the connection, doing so can damage the connecting pins.



Connecting the diskette drive to the computer



If you connect the diskette drive after turning on the computer, it will take about 10 seconds for the computer to recognise the drive. Do not disconnect and reconnect before 10 seconds has elapsed.

Disconnecting the 3 1/2" diskette drive

When you have finished using the diskette drive, follow the procedures below to disconnect it:

1. Wait for the indicator light to go out to make sure all diskette activity has stopped.



If you disconnect the diskette drive or turn off the power while the computer is accessing the drive you may lose data or damage the diskette or the drive.

2. Pull the diskette drive connector out of the USB port.

Diskette care

Handle your diskettes with care. The following simple precautions will increase the lifetime of your diskettes and protect the data you store on them:

1. Store your diskettes in the container they came in to protect them and keep them clean. If a diskette is dirty, do not use cleaning fluid. Clean it with a soft damp cloth.
2. Do not slide back the diskette's protective metal covering or touch the diskette's magnetic surface. Fingerprints may prevent the diskette drive from reading data from the diskette.
3. Data may be lost if the diskette is twisted; bent; or exposed to direct sunlight or extreme heat or cold.
4. Do not place heavy objects on your diskettes.
5. Do not eat, smoke, or use erasers near your diskettes. Foreign particles inside the diskette's jacket can damage the magnetic surface.
6. Magnetic energy can destroy the data on your diskettes. Keep your diskettes away from speakers, radios, television sets and other sources of magnetic fields.

Wireless LAN

The wireless LAN is compatible with other LAN systems based on Direct Sequence Spread Spectrum radio technology that complies with IEEE 802.11 wireless LAN standard (Revision B). It supports the following features:

- Automatic Transmit Rate Select mechanism in the transmit range of 11, 5.5, 2 and 1 Mbit/s.
- Frequency Channel Selection (2.4 GHz)
- Roaming over multiple channels
- Card Power Management
- Wired Equivalent Privacy (WEP) data encryption, based on the 128 bit RC4 encryption algorithm as defined in the IEEE 802.11 standard on wireless LANs.

Wake-up on LAN does not function on a wireless LAN.

Wireless communication switch

You can enable or disable wireless LAN function with the Wireless Communication switch. No transmissions are sent or received when the switch is off. Slide the switch toward the back of the computer to turn it on and toward the front of the computer to turn it off.



Set the switch to off in aeroplanes and hospitals. Check the LED. It will stop glowing when the wireless communication function is off.

Wireless communication LED

The LED indicates the status of the wireless communication functions.

LED status	Indication
LED off	Wireless communication switch is set to off. Automatic power down because of overheating. Power malfunction
LED glows	Wireless communication switch is on. Wireless LAN is turned on by an application.

If you used the Task Tray icon to disable W-LAN, restart the computer or follow the procedures below to enable the system to recognise W-LAN. Open or click the following: **Start, Setup, Control Panel, System, Device Manager** and **Renew**.

LAN

LAN circuits support Ethernet LAN (10 megabits per second, 10BASE-T) and Fast Ethernet LAN (100 megabits per second, 100BASE-Tx). This section describes how to connect/disconnect to a LAN.



Do not install or remove an optional memory module while Wake-up on LAN is enabled.



Wake-up on LAN does not work without the AC adaptor. Leave it connected, if you are using this feature.

LAN cable types



The computer must be configured properly before connecting to a LAN. Logging onto a LAN using the computer's default settings could cause a malfunction in LAN operation. Check with your LAN administrator regarding set-up procedures.

If you are using Fast Ethernet LAN (100 megabits per second, 100BASE-TX), be sure to connect with a CAT5 cable. You cannot use a CAT3 cable. If you are using Ethernet LAN (10 megabits per second, 10BASE-T), you can connect with either a CAT5 or a CAT3.

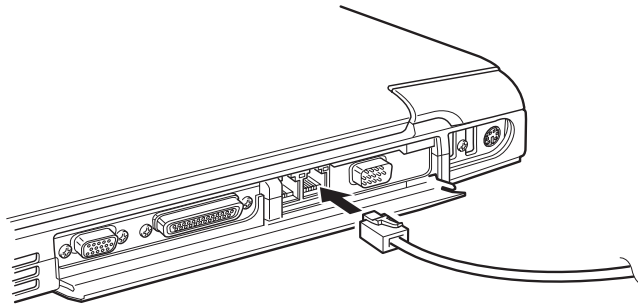
Connecting a LAN cable

To connect a LAN cable, follow the steps below.



Connect the AC adaptor before connecting the LAN cable. The AC adaptor must remain connected during LAN use. If you disconnect the AC Adaptor while the computer is accessing a LAN, the system may hang up.

1. Turn off the power to the computer and to all external devices connected to the computer.
2. Plug one end of the cable into the LAN's jack. Press gently until you hear the latch click into place.



Connecting the LAN cable

3. Plug the other end of the cable into a LAN hub connector. Check with your LAN administrator before connecting to a hub.

Disconnecting a LAN cable

To disconnect a LAN cable, follow the steps below.



Make sure the LAN Active indicator (yellow LED) is out before you disconnect the computer from the LAN.

1. Pinch the lever on the connector in the computer's LAN jack and pull out the connector.
2. Disconnect the cable from the LAN hub in the same manner. Check with your LAN administrator before disconnecting from the hub.

Network Device Switch

This application is used to select one network device on your system and to prevent inconsistent routing table problems on TCP/IP networks.

Using the switch

To select a network device, follow the steps below.

1. a. In Windows XP, click start, point to All Programs, click Network Device Switch.
b. In Windows 2000, click start, point to Programs, click Network Device Switch.
2. Left-click the Network Device Switch icon on the Task bar to display a device menu.

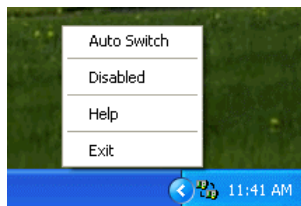


Sample of a network device menu (left click)

3. Click the network device you want to enable. A check will appear beside the enabled devices. Devices without checks are disabled.

Auto Switch menu

Right-click the Network Device Switch icon to display the Auto Switch menu.



Auto Switch menu (right click)

Auto Switch

When Auto Switch is selected, this application automatically enables the wireless LAN device when you disconnect the LAN cable. This feature works only if a wired LAN device is currently enabled and the LAN uses TCP/IP protocol.

Disabled

Click **Disabled** to disable or enable this program's features.

Help

Click **Help** to display a readme file.

Exit

Click **Exit** to quit the program.



If you change the network device, you might need to log onto the network again.

Log on as the administrator.

If the Control device power management checkbox in the Device Settings window of Power Saver is enabled, the following four events will trigger a change in settings made in the Device Setting window of the Power Saver utility. The change will occur regardless of the Network Device Switch setting. To avoid these automatic changes, clear the **Control device power management** checkbox in the Power Saver utility. For details, refer to the Power Saver utility's help files.

1. You start the computer on battery power.
2. You start the computer with the AC adaptor connected and disconnect the AC adaptor during operation.
3. You change the Power Saver settings.
4. The computer resumes operation in suspend or hibernation mode.

Super Long Life scheme

The Super Long Life mode is a scheme of the TOSHIBA Power Saver utility. It is designed to maximize battery operating time.

In the default setting, wired and wireless LAN functions are disabled. To enable LAN functions, clear the Control device power management checkbox. Unless this checkbox is cleared, you will not be able to use LAN functions even if you enable them with the Network Device Switch. Refer to Power Saver utility help files for details.

The Super Long Life power saving scheme is not selected as a default.

Using the internal modem

This section describes how to make settings and connect the modem. Refer to the computer's online help files for more information. Refer also to the online help files for your modem software.



The internal modem does not support the voice functions described in the help files. All data and fax functions are supported.



In case of a lightning storm, unplug the modem cable from the telephone jack.

Do not connect the modem to a digital telephone line. A digital line will damage the modem.

Region selection

Telecommunication regulations vary from one region to another, so you will need to make sure the internal modem's settings are correct for the region in which it will be used.

1. a. In Windows® XP, click **start**, point to **All Programs**, point to **TOSHIBA Internal Modem** and click **Region Select Utility**.



Do not use the Country/Region Select function in the Modem setup utility in the Control Panel if the function is available. If you change the Country/Region in the Control Panel, the change may not take effect.

- b. In Windows® 2000, click **Start**, point to **Programs**, point to **TOSHIBA Internal Modem** and click **Region Select Utility**.
2. The Region Selection icon will appear in the Windows Task Bar.



The Region Selection icon (Windows® XP)

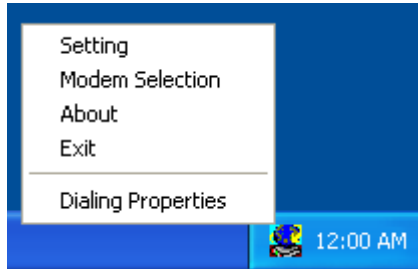


The Region Selection icon (Windows® 2000)

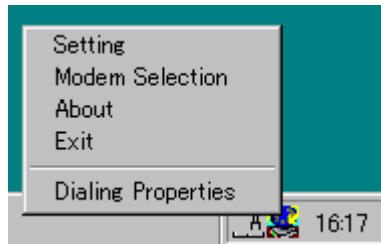
3. Click the icon with the primary mouse button to display a list of regions that the modem supports. A sub menu for telephony location information will also be displayed. A check will appear next to the currently selected region and telephony location.
4. Select a region from the region menu or a telephony location from the submenu.
 - When you click a region it becomes the modem's region selection, and the New Location for telephony will be set automatically.
 - When you select a telephony location, the corresponding region is automatically selected and it becomes the modem's current region setting.

Properties menu

Click the icon with the secondary mouse button to display the following menu.



The menu list (Windows® XP)



The menu list (Windows® 2000)

Setting

You can enable or disable the following settings:

AutoRun Mode

Region Select Utility starts automatically when you start up the operating system.

Open the Dialing Properties dialog box after selecting region.

The dialing properties dialog box will be displayed automatically after you select the region.

Location list for region selection.

A submenu appears displaying location information for telephony.

Open dialog box, if the modem and Telephony Current Location region code do not match.

A warning dialog box is displayed if current settings for region code and telephony location are incorrect.

Modem Selection

If the computer cannot recognise the internal modem, a dialog box is displayed. Select the COM port for your modem to use.

Dialling Properties

Select this item to display the dialling properties.



If you are using the computer in Japan, technical regulations described in the Telecommunications Business Law require that you select Japan region mode. It is illegal to use the modem in Japan with any other selection.

Connecting

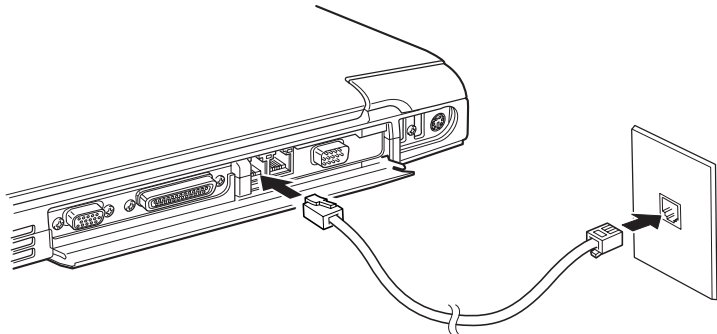
To connect the internal modem cable, follow the steps below.



In case of a lightning storm, unplug the modem cable from the telephone jack.

Do not connect the modem to a digital telephone line. A digital line will damage the modem.

1. Plug one end of the modular cable into the modem jack.
2. Plug the other end of the modular cable into a telephone jack.



Connecting the internal modem



Do not pull on the cable or move the computer while the cable is connected.



If you use a storage device such as a CD-ROM drive or HDD connected to a 16-bit PC card, modem speed might be slow or communication might be interrupted.

Disconnecting

To disconnect the internal modem cable, follow the steps below.

1. Pinch the lever on the connector in the telephone jack and pull out the connector.
2. Disconnect the cable from the computer in the same manner.

Cleaning the computer

To help ensure long, trouble-free operation, keep the computer free of dust and use care with liquids around the computer.

- Be careful not to spill liquids into the computer. If the computer does get wet, turn the power off immediately and let the computer dry completely before you turn it on again.
- Clean the computer using a slightly damp (with water) cloth. You can use glass cleaner on the display. Spray a small amount of cleaner on a soft, clean cloth and wipe the screen gently with the cloth.



Never spray cleaner directly onto the computer or let liquid run into any part of it. Never use harsh or caustic chemical products to clean the computer.

Moving the computer

The computer is designed for rugged durability. However, a few simple precautions taken when moving the computer will help ensure trouble-free operation.

- Make sure all disk activity has ended before moving the computer. Check the **Disk, Slim SelectBay** indicators on the computer and the indicator on any external disk drive.
- If a diskette is in the external disk drive, remove it.
- If a CD/DVD is in the drive, remove it. Also make sure the drawer is securely closed.
- Disconnect the AC adaptor and all other peripherals before moving the computer.
- Turn off the power to the computer.
- Close the display. Do not pick up the computer by its display panel or back (where the interface ports are located).
- Close all port covers.
- Use the carrying case when transporting the computer.

Heat dispersal

To protect from overheating, the CPU has an internal temperature sensor. If the computer's internal temperature rises to a certain level, the cooling fan is turned on or the processing speed is lowered. You can select whether to control the CPU temperature by turning on the fan first, then if necessary, lowering the CPU speed. Or, by lowering the CPU speed first, then if necessary, turning on the fan. Use the **Fan** item of the **Power Save Mode** window in TOSHIBA Power Saver.

When the CPU temperature falls to a normal range, the fan is turned off and the CPU operation returns to standard speed.



If the CPU temperature reaches an unacceptably high level with either setting, the system automatically shuts down to prevent damage. Data in memory will be lost.

The Keyboard

The computer's keyboard layouts are compatible with a 101/102-key enhanced keyboard. By pressing some keys in combination, all the 101/102-key keyboard functions can be executed on the computer.

The number of keys on your keyboard depends on which country/region's keyboard layout your computer is configured with. Keyboards for numerous languages are available.

There are five types of keys: typewriter keys, keypad overlay, function keys, soft keys and cursor control keys.

Typewriter keys

The typewriter keys, produce the upper- and lowercase letters, numbers, punctuation marks, and special symbols that appear on the screen.

There are some differences, however, between using a typewriter and using a computer keyboard:

- Letters and numbers produced in computer text vary in width. Spaces, which are created by a "space character," may also vary depending on line justification and other factors.
- The lowercase l (el) and the number 1 (one) are not interchangeable on computers as they are on a typewriter.
- The uppercase O (oh) and the 0 (zero) are not interchangeable.
- The **Caps Lock** function key locks only the alphabetic characters in uppercase while the shift lock on a typewriter places all keys in the shifted position.
- The **Shift** keys, the **Tab** key, and the **BkSp** (backspace) key perform the same function as their typewriter counterparts but also have special computer functions.

F1 ... F12 function keys

The function keys, not to be confused with **Fn**, are the 12 keys at the top of your keyboard. These keys are dark grey, but function differently from the other dark grey keys.



F1 through **F12** are called function keys because they execute programmed functions when pressed. Used in combination with the **Fn** key, keys marked with icons execute specific functions on the computer. See the section, *Soft keys: Fn key combinations*, in this chapter. The function executed by individual keys depends on the software you are using.

Soft Keys: Alt Gr Key Combinations



The **Alt Gr** key, at the right of the space bar, is used in combination with other keys to create accented or special characters (#, @, |, etc.). Note that some of the keys at the top of the keyboard bear three symbols (not to be confused with the blue or white letters on the side of some other keys). To generate the third symbol, hold **Alt Gr** and press the key bearing the character you wish to create. Please note that since the **Alt Gr** key is not present on the American keyboard, it cannot be used if you have installed an American keyboard driver.

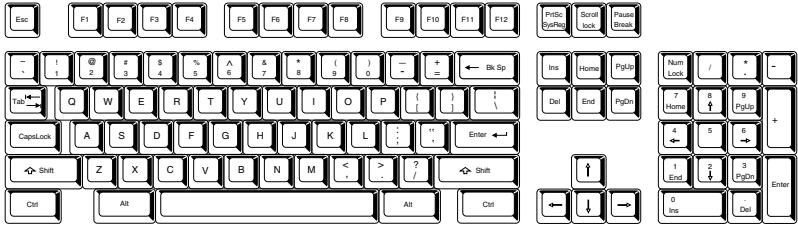
Soft keys: Fn key combinations

The **Fn** (function) is unique to Toshiba computers and is used in combination with other keys to form soft keys. Soft keys are key combinations that enable, disable or configure specific features.



Some software may disable or interfere with soft-key operations. Soft-key settings are not restored by the Resume feature.

Emulating keys on enhanced keyboard



A 101-key enhanced keyboard layout

The keyboard is designed to provide all the features of the 101-key enhanced keyboard, shown above. The 101/102-key enhanced keyboard has a numeric keypad and scroll lock key. It also has additional **Enter**, **Ctrl** and **Alt** keys to the right of the main keyboard. Since the keyboard is smaller and has fewer keys, some of the enhanced keyboard functions must be simulated using two keys instead of one on the larger keyboard.

Your software may require you to use keys that the keyboard does not have. Pressing the **Fn** key and one of the following keys simulates the enhanced keyboard's functions.



Press **Fn + F10** or **Fn + F11** to access the integrated keypad. When activated, the keys with white markings on the bottom edge become numeric keypad keys (**Fn + F11**) or cursor control keys (**Fn + F10**). Refer to the *Keypad overlay* section in this chapter for more information on how to operate these keys. The power on default for both settings is off.



Press **Fn + F12 (ScrLock)** to lock the cursor on a specific line. The power on default is off.



Press **Fn + Enter** to simulate **Enter** on the enhanced keyboard's numeric keypad.



Press **Fn + Ctrl** to simulate the enhanced keyboard's right **Ctrl** key.



Press **Fn + Alt** to simulate the enhanced keyboard's right **Alt** key.

Hotkeys

Hotkeys (**Fn** + a function or Esc key) let you enable or disable certain features of the computers.



Sound mute: Pressing **Fn + Esc** in a Windows environment turns sound on or off. When you press these hotkeys, the current setting will be displayed as an icon.



Instant security: Press **Fn + F1** to lock the keyboard and blank the screen to prevent others from accessing your data. To restore the screen and original settings, press any key or move the AccuPoint II. When a dialog box appears, enter the screensaver password and click **OK**. If no password is set, the screen will be restored when you press any key.



Power save mode: Pressing **Fn + F2** changes the power save mode. If you press **Fn + F2**, the Power Save Mode is displayed in a dialog box. Continue holding down **Fn** and press **F2** again to change the setting. You can also change this setting through the *Plugged in or Running on batteries* item of the *Power Saver Properties* window in Power Saver.



Standby: When you press **Fn + F3**, the computer can enter Standby. To avoid entering Standby unexpectedly, a dialog box appears for verification. However, if you check the checkbox in the dialog box, it will not appear from the next time.



Hibernation: When you press **Fn + F4**, the computer can enter Hibernation. To avoid entering Hibernation unexpectedly, a dialog box appears for verification. However, if you check the checkbox in the dialog box, it will not appear from the next time.



Display selection: Press **Fn + F5** to change the active display device. When you press these hot keys a dialog box appears. Only selectable devices will be displayed. Hold down **Fn** and press **F5** again to change the device. When you release **Fn** and **F5**, the selected device will change. If you hold down the keys for three seconds the selection will return to **LCD**.



Display Brightness: Pressing **Fn + F6** decreases the display brightness in increments. When you press these hotkeys, the current setting will be displayed for two seconds by an icon. You can also change this setting through the *Monitor brightness* item of the *Power Save Mode* window in Power Saver.



Display Brightness: Pressing **Fn + F7** increases the display brightness in increments. When you press these hotkeys, the current setting will be displayed for two seconds by a pop-up icon. You can also change this setting through the *Monitor brightness* item of the *Power Save Mode* window in Power Saver.



You cannot change the display brightness for about 18 seconds after the LCD turns on. To protect display quality, the brightness level is set at the maximum value.



Wireless setting: Non functioning key combination.

Emulating Fn key on external keyboard

The **Fn** key is only on Toshiba keyboards. If you use an external keyboard attached to the computer, you can execute **Fn** key combinations by emulating the **Fn** key. See Chapter 7, *HW Setup and Passwords*, for details on setting the **Fn** key equivalent.

Fn Sticky key

You can use the Toshiba Accessibility Utility to make the **Fn** key sticky, that is, you can press it once, release it, and they press an “**F number**” key.

Windows special keys

The keyboard provides two keys that have special functions in Windows : one activates the **Start** menu and the other has the same function as the secondary mouse button.



This key activates the Windows **Start** menu.



This key has the same function as the secondary mouse button.

Keypad overlay

Your computer's keyboard does not have an independent numeric keypad, but its numeric keypad overlay functions like one.

The keys in the centre of the keyboard with white letters make up the numeric keypad overlay. The overlay provides the same functions as the numeric keypad on the 101/102-key enhanced keyboard shown below.

Turning on the overlays

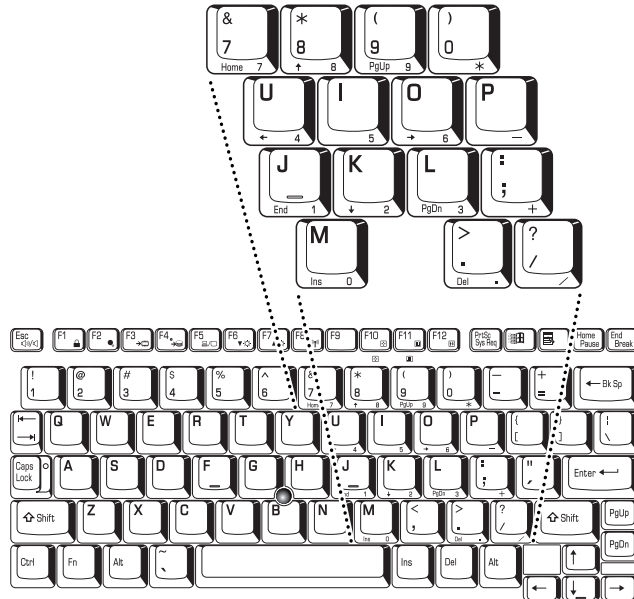
The numeric keypad overlay can be used for numeric data input or cursor and page control.

Arrow mode

To turn on the Arrow mode, press **Fn + F10**. The Arrow mode indicator lights. Now try cursor and page control using the keys shown in the figure below. Press **Fn + F10** again to turn off the overlay.

Numeric mode

To turn on the Numeric mode, press **Fn + F11**. The Numeric mode indicator lights. Now try numeric data entry using the keys in the figure below. Press **Fn + F11** again to turn off the overlay.



The numeric keypad overlay

Temporarily using normal keyboard (overlay on)

While using the overlay, you can temporarily access the normal keyboard without turning off the overlay:

1. Hold **Fn** and press any other key. All keys will operate as if the overlay were off.
2. Type uppercase characters by holding **Fn + Shift** and pressing a character key.
3. Release **Fn** to continue using the overlay.

Temporarily using overlay (overlay off)

While using the normal keyboard, you can temporarily use the keypad overlay without turning it on:

1. Press and hold down **Fn**.
2. Check the keyboard indicators. Pressing **Fn** turns on the most recently used overlay. If the Numeric mode indicator lights, you can use the overlay for numeric entry. If the Arrow mode indicator lights, you can use the overlay for cursor and page control.
3. Release **Fn** to return to normal keyboard operation.

Temporarily changing modes

If the computer is in **Numeric mode**, you can switch temporarily to **Arrow mode** by pressing a shift key.

If the computer is in **Arrow mode**, you can switch temporarily to **Numeric mode** by pressing a shift key.

Generating ASCII characters

Not all ASCII characters can be generated using normal keyboard operation. But, you can generate these characters using their ASCII codes.

With the overlay on:

1. Hold down **Alt**.
2. Using the overlay keys, type the ASCII code.
3. Release **Alt**, and the ASCII character appears on the display screen.

With the overlay off:

1. Hold **Alt + Fn**.
2. Using the overlay keys, type the ASCII code.
3. Release **Alt + Fn**, and the ASCII character appears on the display screen.

Power and Power-Up Modes

The computer's power resources include the AC adaptor and internal batteries. This chapter gives details on making the most effective use of these resources including charging and changing batteries, tips for saving battery power, and power up modes.

Power conditions

The computer's operating capability and battery charge status are affected by the power conditions: whether an AC adaptor is connected, whether a battery is installed and what the charge level is for the battery.

		Power on	Power off (no operation)
AC adaptor connected	Main battery fully charged	<ul style="list-style-type: none"> Operates LED: Main battery green DC IN green 	<ul style="list-style-type: none"> LED: Main battery green DC IN green
	Main battery partially charged or no charge	<ul style="list-style-type: none"> Operates Quick charge *1 LED: Main battery orange DC IN green 	<ul style="list-style-type: none"> Quick charge *1 LED: Main battery orange DC IN green
	No main battery installed	<ul style="list-style-type: none"> Operates No charge LED: Main battery off DC IN green 	<ul style="list-style-type: none"> No charge LED: Main battery off DC IN green
	2nd battery fully charged	<ul style="list-style-type: none"> Operates LED: 2nd battery green DC IN green 	<ul style="list-style-type: none"> LED: 2nd battery green DC IN green
	2nd battery partially charged or no charge	<ul style="list-style-type: none"> Operates Quick charge *2 LED: 2nd battery orange DC IN green 	<ul style="list-style-type: none"> Quick charge *2 LED: 2nd battery orange DC IN green
	No 2nd battery installed	<ul style="list-style-type: none"> Operates No charge LED: 2nd battery off DC IN green 	<ul style="list-style-type: none"> No charge LED: 2nd battery off DC IN green

		Power on	Power off (no operation)
AC adaptor not connected	Main battery charge is above low battery trigger point	<ul style="list-style-type: none"> Operates LED: Main battery off DC IN off 	
	Main battery charge is below low battery trigger point	<ul style="list-style-type: none"> Operates LED: Main battery flashes orange DC IN off 	
	Main battery charge is exhausted	Computer goes into resume mode and shuts down *3	
	No main battery installed	<ul style="list-style-type: none"> No operation *4 LED: Main battery off DC IN off 	
	2nd battery charge is above low battery trigger point	<ul style="list-style-type: none"> Operates LED: 2nd battery off DC IN off 	
	2nd battery charge is below low battery trigger point	<ul style="list-style-type: none"> Operates LED: 2nd battery flash orange DC IN off 	
	2nd battery charge is exhausted	Computer goes into resume mode and shuts down *3	
	No 2nd battery is installed	<ul style="list-style-type: none"> No operation *5 LED: 2nd battery off DC N off 	



2nd battery indicator refers to the **Slim SelectBay indicator** when a secondary battery is installed.

- *1 When the secondary battery is not charging.
- *2 When the main battery is not charging
- *3 If a main battery and a secondary battery are installed, the computer does not enter Resume mode until the charge in both batteries is exhausted.
- *4 When no secondary battery is installed
- *5 When no main battery is installed



When batteries are charged, the main battery is charged first. When it is fully charged, the secondary battery is charged.

Power indicators

The **Main battery**, **Slim SelectBay**, **DC IN** and **Power** indicators on the system indicator panel alert you to the computer's operating capability and battery charge status.

Battery indicators

Check the **Main battery** indicator to determine the status of the main battery and the **Slim SelectBay** indicator to determine the status of the secondary battery. The following indicator lights indicate the battery status:

Flashing orange	The battery charge is low. The AC adaptor must be connected to recharge the battery.
Orange	Indicates the AC adaptor is connected and charging the battery.
Green	Indicates the AC adaptor is connected and the battery is fully charged.
No light	Under any other conditions, the indicator does not light.



If the battery becomes too hot while it is being charged, the charge will stop and the battery indicator will go out. When the battery's temperature falls to a normal range, charge will resume. This event occurs regardless of whether the power to the computer is on or off.

DC IN indicator

Check the **DC IN** indicator to determine the power status with the AC adaptor connected:

Green	Indicates the AC adaptor is connected and supplying proper power to the computer.
Flashing orange	Indicates a problem with the power supply. Plug the AC adaptor into another outlet. If it still does not operate properly, see your dealer.
No light	Under any other conditions, the indicator does not light.

Power indicator

Check the **Power** indicator to determine the power status.

Green	Indicates power is being supplied to the computer and the computer is turned on.
Blinking orange	Indicates the power was turned off while the computer was in Resume mode. The indicator turns on for one second and turns off for two seconds.
No light	Under any other conditions, the indicator does not light.

Battery types

The computer has three types of batteries:

- Battery packs – main and secondary (option)
- Real Time Clock (RTC) battery

Main battery

When the AC power cord is not connected, the computer's main power source is a removable lithium ion battery pack, also referred to in this manual as the main battery. You can purchase additional battery packs for extended use of the computer away from an AC power source.



The battery pack is a lithium ion battery, which can explode if not properly replaced, used, handled or disposed of. Dispose of the battery as required by local ordinances or regulations. Use only batteries recommended by TOSHIBA as replacements.

The main battery recharges the RTC batteries. The main battery maintains the state of the computer when you enable Resume.



When the computer is powered off in Resume mode, and the AC adaptor is not connected, the main battery pack and optional secondary battery pack supply power to maintain data and programs in memory. If the battery pack(s) is completely discharged, Resume does not function and the computer loses all data in memory.

The following message appears when you turn on the power:

WARNING: RESUME FAILURE.

PRESS ANY KEY TO CONTINUE.

To ensure that the battery pack maintains its maximum capacity, operate the computer on battery power at least once a month until the battery pack is fully discharged. Refer to *Extending battery life* in this chapter for procedures. If the computer is continuously operated on AC power, either through an AC adaptor or a docking station for an extended period, more than a month, the battery may fail to retain a charge. It may not function efficiently over the expected life of the battery and the Battery LED may not indicate a low-battery condition.

Secondary battery (option)

An optional secondary battery can be installed in the Slim SelectBay to increase your battery operating time. Note the caution on Resume mode in the previous section *Main battery*.



The secondary battery pack is a lithium ion battery, which can explode if not properly replaced, used, handled or disposed of. Dispose of the battery as required by local ordinances or regulations. Use only batteries recommended by TOSHIBA as replacements.

Real time clock battery

The Real Time Clock (RTC) battery provides power for the internal real time clock and calendar. It also maintains the system configuration.

If the RTC battery becomes completely discharged, the system loses this data and the real time clock and calendar stop working. The following message appears when you turn on the power:



***** Bad RTC battery *****

Check system. Then press [F1] key



The computer's RTC battery is a lithium ion battery and should be replaced only by your dealer or by a TOSHIBA service representative. The battery can explode if not properly replaced, used, handled or disposed of. Dispose of the battery as required by local ordinances or regulations.

Care and use of the battery pack

The battery pack is a vital component of portable computing. Taking proper care of it will help ensure longer operating time on battery power as well as a longer life for your battery pack. Follow the instructions in this section carefully to ensure safe operation and maximum performance.

Safety precautions

1. Turn off the computer's power immediately and disconnect the power cord from the power socket, if the battery pack produces an odor, overheats or changes color or shape while it is being used or charged. Carefully remove the battery pack from the computer.
2. Be very careful not to short-circuit the battery pack. Contacting both terminals with a metal object can cause injury, fire or damage to the battery pack.
3. Do not overcharge, reverse charge, mutilate or disassemble the battery pack. Any one of those actions could release toxic materials, hydrogen and/or oxygen or other electrolytic substances or cause an increase in the battery pack's surface temperature.
4. Do not expose the battery pack to fire; the battery pack could explode.
5. Battery packs contain toxic substances. Do not dispose of them with ordinary trash. Dispose of battery packs only in accordance with local ordinances. Always cover the metal terminals with insulating tape to avoid short circuits.
6. If the battery pack has leaked or been vented, it should be replaced immediately. Use protective gloves when handling a damaged battery pack.
7. When it becomes necessary to replace the battery pack, it must be replaced only by an identical battery pack from the same manufacturer.
8. Do not expose the battery pack terminals to any metal object other than the computer contacts. Wrap it or place it in a plastic bag when transporting it.
9. When you install the battery pack, you should hear a click when it is seated properly.
10. Charge the battery pack only in the computer or in a battery pack charger designated as an approved option.
11. Reverse polarity should be avoided with all battery packs. The battery pack is designed so that it cannot be installed in reverse polarity.

Charging the batteries

When the power in the battery pack becomes low, the **Battery** indicator flashes orange indicating that only a few minutes of battery power remain. If you continue to use the computer while the **Battery** indicator flashes, the computer enables Resume mode (so you don't lose data) and automatically turns off.

You must recharge a battery pack when it becomes discharged.

Procedures

To recharge a battery pack while it is installed in the computer, connect the AC adaptor to the **DC IN** socket and plug the other end into a working outlet.

The **Battery** indicator glows orange when the battery is being charged.



Use only the computer connected to an AC power source or the optional TOSHIBA Battery charger to charge the battery pack. Do not attempt to charge the battery pack with any other charger.

Time

The following table shows the approximate time required to fully charge a discharged battery.

Charging time (hours)

Battery type	Power on	Power off
Main battery pack	3.0 to 9.0 or longer	3.0
Secondary battery pack	3.0 to 7.5 or longer	3.0
RTC battery	8	Doesn't charge

Battery charging notice

The battery may not charge right away under the following conditions:

- The battery is extremely hot or cold. If the battery is extremely hot, it might not charge at all. Also, to ensure the battery charges to its full capacity, charge the battery at room temperature of 10° to 30°C (50° to 88°F).
- The battery is nearly completely discharged. Leave the AC adaptor connected for a few minutes and the battery should begin charging.

The **Battery** indicator may show a rapid decrease in battery operating time when you try to charge a battery under the following conditions:

- The battery has not been used for a long time.
- The battery has completely discharged and been left in the computer for a long time.
- A cool battery is installed in a warm computer.

In such case, follow the steps below.

1. Fully discharge the battery by leaving it in the computer with the power on until the power automatically shuts off.
2. Plug in the AC adaptor.
3. Charge the battery until the **Battery** indicator glows green.

Repeat the steps two or three times until the battery recovers normal capacity.

Monitoring battery capacity

Remaining battery power can be monitored in the *Power Save Modes* window in Power Saver of Windows.



Wait at least 16 seconds after turning on the computer before trying to monitor the remaining operating time. The computer needs this time to check the battery's remaining capacity and to calculate the remaining operating time, based on the current power consumption rate and remaining battery capacity. The actual remaining operating time may differ slightly from the calculated time.

With repeated discharges and recharges, the battery's capacity will gradually decrease. Therefore, an often used, older battery will not operate for as long as a new battery even when both are fully charged. In this case, Power Saver Utility will indicate a 100% charge for both the old and new battery, but the displayed estimated time remaining will be shorter for the older battery.

Maximising battery operating time

A battery's usefulness depends on how long it can supply power on a single charge.

How long the charge lasts in a battery depends on:

- How you configure the computer, for example, whether you enable battery-power saving options. The computer provides a battery save mode to conserve battery power. This mode has the following options:
 - Processing speed
 - Display auto off
 - HDD auto off
 - System auto off
 - LCD Brightness
- How often and how long you use the hard disk and the diskette drive.
- How much charge the battery contained to begin with.
- How you use optional devices, such as a PC card, to which the battery supplies power.
- Enabling Resume mode conserves battery power if you are frequently turning the computer off and on.
- Where you store your programs and data.
- Closing the display when you are not using the keyboard saves power.
- Operating time decreases at low temperatures.
- The condition of the battery terminals. Make sure the battery terminals stay clean by wiping them with a clean dry cloth before installing the battery pack.

Retaining data with power off

When you turn off your computer with fully charged batteries, the batteries retain data for the following approximate time periods:

Battery pack (3600 mAh)	5 days (Resume mode)
	30 days (Boot mode)
RTC battery	1 month

Extending battery life

To maximise the life of your battery pack:

- At least once a month, disconnect the computer from a power source and operate it on battery power until the battery pack fully discharges. Before doing so, follow the steps below.
 1. Turn off the computer's power.
 2. Disconnect the AC adaptor and turn on the computer's power. If it does not turn on go to step 4.
 3. Operate the computer on battery power for five minutes. If the battery pack has at least five minutes of operating time, continue operating until the battery pack is fully discharged. If the battery LED flashes or there is some other warning to indicate a low battery, go to step 4.
 4. Connect the AC adaptor to the computer and the power cord to a power outlet. The DC IN LED should glow green, and the Battery LED should glow orange to indicate that the battery pack is being charged. If the DC IN indicator does not glow, power is not being supplied. Check the connections for the AC adaptor and power cord.
 5. Charge the battery pack until the Battery LED glows green.
- If you have extra battery packs, rotate their use.
- If you will not be using the system for an extended period, more than one month, remove the battery pack.
- Disconnect the AC adaptor when the battery is fully charged. Overcharging makes the battery hot and shortens life.
- If you are not going to use the computer for more than eight hours, disconnect the AC adaptor.
- Store spare battery packs in a cool dry place out of direct sunlight.

Replacing the battery pack

When the battery pack reaches the end of its operating life you will need to install a new one. The life of the battery pack is generally about 500 recharges. If the **Battery** indicator flashes orange shortly after fully recharging the battery, the battery pack needs to be replaced.

You might also replace a discharged battery pack with a charged spare when you are operating your computer away from an AC power source. This section explains how to remove and install battery packs.

Removing the battery pack

To replace a discharged battery pack, follow the steps below.

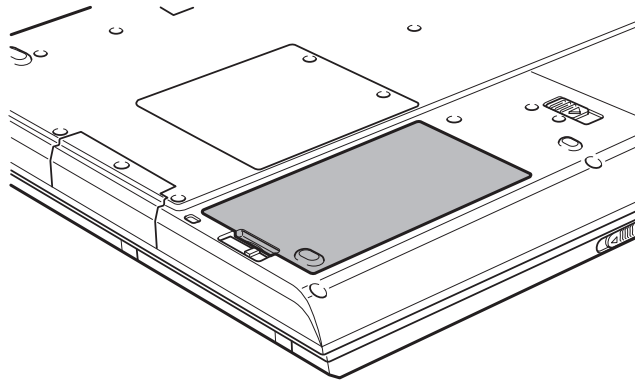


When handling battery packs, be careful not to short circuit the terminals. Also do not drop, hit or otherwise apply impact; do not scratch or break the casing and do not twist or bend the battery pack.

1. Save your work.
2. Turn the computer's power off. Make sure the **Power** indicator is off.
3. Remove all cables connected to the computer.
4. Turn the computer upside down with the back of the computer facing you.
5. Slide the battery pack lock to the unlock position.
6. Slide the battery release latch to free the battery pack for removal.
7. Pull the battery pack forward to remove it.



For environmental reasons, do not throw away a spent battery pack. Please return spent battery packs to your TOSHIBA dealer.



Removing the battery pack

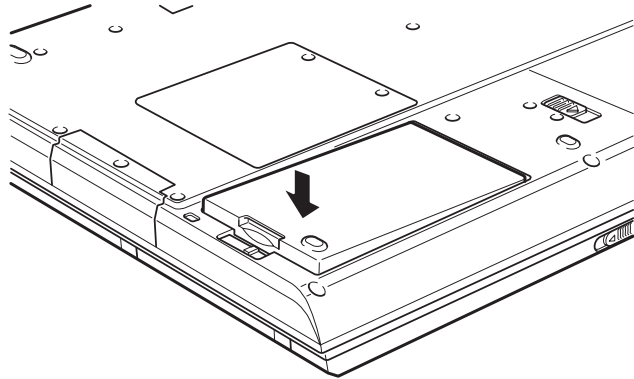
Installing the battery pack

To install a battery pack, follow the steps below.



The battery pack is a lithium ion battery, which can explode if not properly replaced, used, handled or disposed of. Dispose of the battery as required by local ordinances or regulations. Use only batteries recommended by TOSHIBA as replacements.

1. Be sure the computer's power is off and all cables are disconnected.
2. Insert the battery pack.



Installing the battery pack

3. Secure the battery pack lock.

Starting the computer by password

If you registered a password as supervisor or user, you must enter it to start the computer. For more information about how to set a password, refer to Chapter 7, *HW Setup and Passwords*.

To start up the computer with the password, follow these steps:

1. Turn on the power as described in Chapter 3, *Getting Started* and the following message appears:



Password =

2. Enter the password.
3. Press **Enter**. The computer displays the message below while it starts up.



Valid password entered, system is now starting up.



If you enter the password incorrectly three times in a row, the computer shuts off. In this case, you must turn the computer back on to retry password entry.

HW Setup and Passwords

This chapter explains how to use the TOSHIBA HW Setup program to configure your computer and how to set passwords.

HW Setup

TOSHIBA HW Setup lets you configure settings for pointing devices, display, CPU, boot priority, keyboard, USB, LAN, general, password, device config and parallel/printer.



If the supervisor password is set, access to the TOSHIBA HW Setup program can be prevented when the user password is used to log on to the computer.

*Refer to the Supervisor password readme file for details on enabling/disabling access to HW Setup. The path to the readme file is C:\ProgramFiles\TOSHIBA\Windows Utilities\SVPWTool. In the SVPWTool directory, open the **readme.htm** file.*

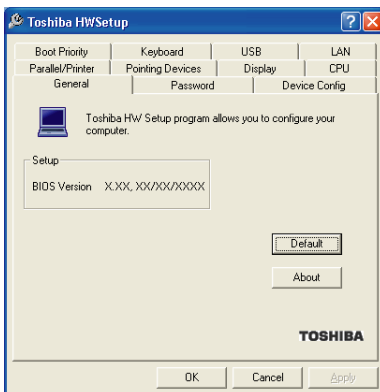
Accessing HW Setup

If you are using Windows® XP, click **start**, click **Control Panel** and select **TOSHIBA HW Setup** to run HW Setup.

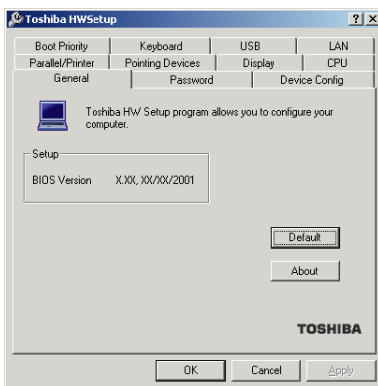
If you are using Windows® 2000, click **Start**, point to **Settings**, click **Control Panel** and select **TOSHIBA HW Setup** to run HW Setup.

HW Setup window

The HW Setup window contains the following tabs: Pointing Devices, Display, CPU, Boot Priority, Keyboard, USB, LAN, General, Password, Device Config and Parallel/Printer.



HW setup window (Windows® XP)



HW setup window (Windows® 2000)

There are also three buttons: **OK**, **Cancel** and **Apply**.

OK	Accepts your changes and closes the HW Setup window.
Cancel	Closes the window without accepting your changes.
Apply	Accepts all your changes without closing the HW Setup window.

General

This window displays the BIOS version and contains two buttons: **Default** and **About**.

Default	Return all HW Setup values to the factory settings.
About	Display the HW Setup version..

Setup

This field displays **BIOS Version** and date.

Password

User Password

This option allows you to set or reset the user password for power on.

Not Registered	Change or remove the password. (Default)
Registered	Set the password. A dialog box will appear to let you set the password.

To enter a user password:

1. Select **Registered** to display the following prompt:



Enter Password:

2. Enter a password of up to 10 characters. The character string you enter is displayed as a string of asterisks. For example, if you enter a password consisting of four characters, the display is shown as:



Enter Password: ****



*If you click the **OK** button before entering the password, **Not registered** will appear on the display.*

3. Click the **OK** button. The following message appears, allowing you to verify the password.



Verify Password:

4. If character strings match, the password is registered and the display changes to:



Registered

If they do not match, the following message appears. You must repeat from step 1.



Entry Error!!!

To delete a user password:

1. Select **Not Registered** to display the following prompt:



Enter Password:

2. Enter the currently registered password. The character string you enter is displayed as a string of asterisks.



Enter Password: ****



*If you click the **OK** button before entering the password, **Registered** will appear on the display.*

3. Click the **OK** button. If the character string you enter matches the registered password, the password option is reset and the display changes to:



Not registered

If they do not match, the following message appears. You must repeat step 1.



Incorrect Password!!!



*If you enter the password incorrectly three times, the screen will display: **Sorry, access denied!!! Powering off your machine then powering it back on again are required to regain access.***

You will not be able to access the password option in the HW Setup. In this case you must turn the power off and back on to retry the procedure.

4. Follow the same procedures described in the earlier section, *How to set the password*, to set a new user password.

Refer to the *Supervisor password* section later in this chapter for details on setting the supervisor password.

Device Config

Device Configuration

This option lets you set the device configuration.

All Devices	BIOS sets all devices.
Setup by OS	Operating system sets devices that it can control.

Parallel/Printer

This tab lets you set the Printer Port Type. Use the Windows Device Manager to make settings for the Parallel port.

Parallel Port Mode

The options in this tab are **ECP** and **Standard Bi-directional**.

ECP	Sets the port type to Extended Capabilities Port (ECP). For most printers, the port should be set to ECP . (Default)
Standard Bi-directional	This setting should be used with some other parallel devices.

Pointing Devices

Pointing Devices

This tab lets you select **Auto-Selected** and **Simultaneous**.

Auto-Selected	If a PS/2 mouse is connected to the computer when you turn on the power, the PS/2 mouse is enabled and the AccuPoint II is disabled. Otherwise, the AccuPoint II is enabled. (Default)
Simultaneous	Enables both the AccuPoint II and a PS/2 mouse.

Display

This tab lets you customise your computer's display settings for either the internal LCD screen or for an external monitor.

Power On Display

Lets you set the display to be used when the computer is booted.

Auto-Selected	Selects an external monitor if one is connected. Otherwise, it selects the internal LCD. (Default)
Simultaneous	Selects both the internal LCD and external monitor for simultaneous display.

CPU

Dynamic CPU Frequency Mode

This option lets you choose from the following settings:

Dynamically Switchable	CPU power consumption and clock speed automatic switching function is enabled. When the computer is in use, CPU operation is automatically switched when necessary. (Default)
Always High	CPU power consumption and clock speed automatic switching function is disabled. The CPU always runs at its fastest speed.
Always Low	CPU power consumption and clock speed automatic switching function is disabled. The CPU always runs at low power consumption and low speed.

Boot Priority

Boot Priority Options

This option sets the priority for booting the computer. Select from the following settings:

HDD → FDD → CD-ROM (→ LAN)	The computer looks for bootable files in the following order: HDD, diskette drive, CD-ROM* and LAN. (Default)
FDD → HDD → CD-ROM (→ LAN)	The computer looks for bootable files in the following order: diskette drive, HDD, CD-ROM* and LAN.
HDD → CD-ROM (→ LAN) → FDD	The computer looks for bootable files in the following order: HDD, CD-ROM*, LAN and diskette drive.
FDD → CD-ROM (→ LAN) → HDD	The computer looks for bootable files in the following order: diskette drive, CD-ROM*, LAN and HDD.
CD-ROM (→ LAN) → HDD → FDD	The computer looks for bootable files in the following order: CD-ROM*, LAN, HDD, diskette drive.
CD-ROM (→ LAN) → FDD → HDD	The computer looks for bootable files in the following order: CD-ROM*, LAN, diskette drive and HDD.

You can override the settings and manually select a boot device by pressing one of the following keys while the computer is booting:

U	Selects the USB diskette drive.
N	Selects the Network.
1	Selects the primary HDD.
2	Selects the secondary HDD.
P	Selects the PC card HDD.
C	Selects the CD-ROM*.

This procedure does not affect the settings.

* In this computer, CD refers to the built-in optical media drive in the Slim SelectBay.



PC card HDD boot is supported only by slot 0 on the computer. Support is guaranteed only for TOSHIBA PC card HDDs.

When you assign a PC card HDD top priority, "PC" is not displayed. However, the PC card HDD takes the position of HDD in the Boot Priority Options list above.

To change the boot drive, follow the steps below.

1. Hold down **F12** and boot the computer.
2. The following menu will be displayed with the following icons: Built-in HDD, Select Bay HDD, CD-ROM, FDD, Network (LAN), PCA (ATA) card boot.



A bar will appear only under the selected device.

3. Use the left/right cursor keys to highlight the boot device you want and press **Enter**.



If a supervisor password is set, the menu above does not appear when you use the user password to start the computer.

In this computer, CD refers to the DVD-ROM, CD-R/RW or CD-RW/DVD-ROM drives.

The selection method above does not change the boot priority settings in HW Setup.

If you press a key other than one of those above or if the selected device is not installed, the system will boot according to the current setting in HW Setup.

HDD Priority Options

This option lets you set the boot priority for the HDD if more than one is installed in the computer.

Built-in HDD -> Second HDD	The built-in HDD is checked first for the boot command, then the HDD installed in the Slim SelectBay. (Default)
Second HDD -> Built-in HDD	The HDD installed in the Slim SelectBay is checked first for the boot command, then the built-in HDD.

Keyboard

External Keyboard Fn key

Use this option to set a key combination on an external keyboard to emulate the **Fn** key on the computer's internal keyboard. Setting an **Fn** key equivalent will let you use "Hotkeys" by pressing the set combination instead of the **Fn** key. (PS/2 keyboard only)

Disabled	No Fn key equivalent (Default)		
Fn Equivalent	Left Ctrl	+	Left Alt
	Right Ctrl	+	Right Alt
	Left Alt	+	Left Shift
	Right Alt	+	Right Shift
	Left Alt	+	Caps Lock



*If you select **Left Ctrl + Left Alt** or **Right Ctrl + Right Alt** for this option, you cannot use the selected keys to reboot the computer in combination with the **Del** key. For example, if you select **Left Ctrl + Left Alt**, you must use **Right Ctrl, Right Alt** and **Del** to reboot the computer. **Left Ctrl, Left Alt** and **Del** cannot be used.*

Wake-up on Keyboard

When this feature is enabled and the computer is in standby mode, you can turn on the computer by pressing any key. It is effective only for the internal keyboard and only when the computer is in standby mode.

Enabled	Enables Wake-up on Keyboard.
Disabled	Disables Wake-up on Keyboard. (Default)

USB

USB KB/Mouse Legacy Emulation

Use this option to enable or disable USB KB/Mouse Legacy Emulation. If your operating system does not support USB, you can still use a USB mouse and keyboard by setting the **USB KB/Mouse Legacy Emulation** item to **Enabled**.

Enabled	Enables the USB KB/Mouse Legacy Emulation. (Default)
Disabled	Disables the USB KB/Mouse Legacy Emulation.

USB-FDD Legacy Emulation

Use this option to enable or disable USB-FDD Legacy Emulation.

Enabled	Enables the USB-FDD Legacy Emulation. (Default)
Disabled	Disables the USB-FDD Legacy Emulation.

LAN

Wake-up on LAN

This feature lets the computer's power be turned on when it receives a wake-up signal from the LAN.

Enabled	Enables Wake-up on LAN.
Disabled	Disables Wake-up on LAN. (Default)



Do not install or remove an optional memory module while Wake-up on LAN is enabled.



Wake-up on LAN does not work without the AC adaptor. Leave it connected, if you are using this feature.

Built-in LAN

Enabled	Enables built-in LAN functions. (Default)
Disabled	Disables built-in LAN functions.

Supervisor password

Refer to the readme file of the Supervisor Password Utility for instructions on setting the Supervisor Password.

The path to the readme file is C:\Program Files\TOSHIBA\Windows Utilities\SVPWTool. In the SVPWTool directory, open the **readme.htm** file.

Optional Devices

Optional devices can expand the computer's capabilities and its versatility. The following optional devices are available from your TOSHIBA dealer:

Cards/memory

- PC cards
- Memory expansion

Power devices

- Additional battery pack
- Slim SelectBay 2nd battery pack
- Additional AC adaptor
- Battery charger

Peripheral devices

- Slim SelectBay HDD adaptor
- USB diskette drive and other USB devices
- Advanced Port Replicator
- External monitor
- Television
- PS/2 mouse
- PS/2 keyboard

Other

- Security lock

PC cards

The computer is equipped with a PC card expansion slot that can accommodate two 5 mm Type II cards or one 10.5 mm Type III card. Any PC card that meets industry standards (manufactured by TOSHIBA or other vendor) can be installed. The slots support 16-bit PC cards, including PC card 16's multifunction card and CardBus PC cards.

CardBus supports the new standard of 32-bit PC cards. The bus provides superior performance for the greater demands of multimedia data transmission.

Installing a PC card

Two PC card connectors are located one above the other on the left side of the computer. Both connectors are accessed from the same slot. You can install two Type II cards, one in each connector, or one Type III card in the bottom connector.

Windows' hot-install feature lets you install PC cards while the computer's power is on.

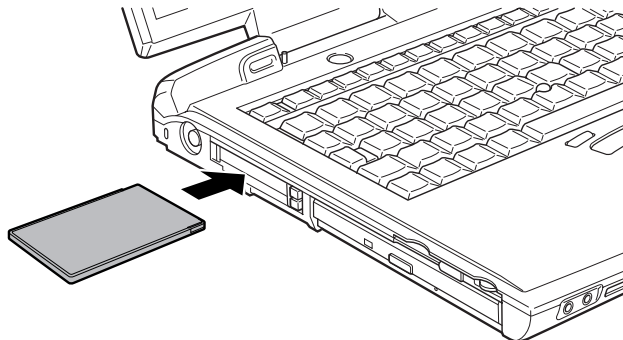


Do not install a PC card while the computer is in standby or hibernation mode. Some cards might not work properly.

An HDD or CD-ROM connected to a 16-bit PC card, might affect the performance of the computer's sound system and data transmission, including slower transmission speeds and dialing errors.

To install a PC card, follow the steps below.

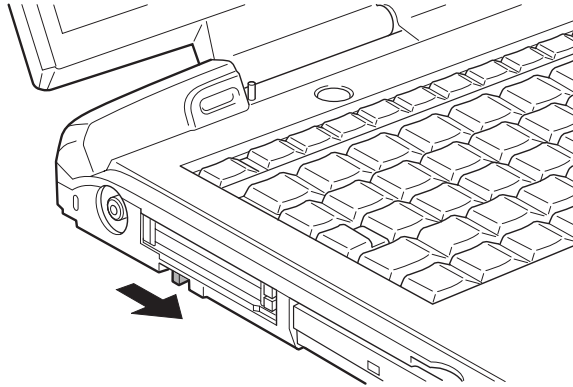
1. Insert the PC card.
2. Press gently to ensure a firm connection.



Inserting the PC card

3. Check the configuration in the HW Setup window to make sure it is appropriate for your card.

- Slide the PC card lock into the locked position.

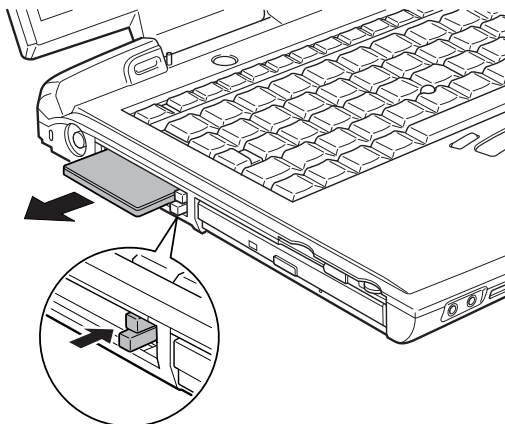


Locking the PC card

Removing a PC card

To remove the PC card, follow the steps below.

- Slide the PC card lock into the unlocked position.
- In Windows® XP, open the **Safety Remove Hardware** icon on the system tray and disable the PC card.
 - In Windows® 2000, open the **Unplug or Eject Hardware** icon on the system tray and disable the PC card.
- Press the eject button of the PC card you want to remove to extend the button.
- Press the extended eject button to pop the card out slightly.
- Grasp the PC card and remove it.



Removing the PC card

Memory expansion

You can install additional memory in the computer's memory module to increase the amount of RAM.

Installing a memory module

To install a memory module, make sure the computer is in boot mode then:

1. Turn the computer off in boot mode. Refer to the *Turning off the power* section in Chapter 3.



If you use the computer for a long time, the memory modules will become hot. In this case, let the memory modules cool to room temperature before you replace them.

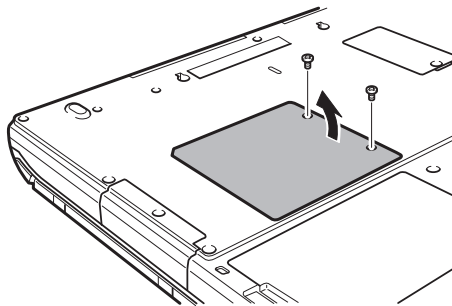
Do not try to install a memory module with the computer turned on or turned off in Standby and Hibernation mode. You can damage the computer and the memory module.

If you install a memory module that is not compatible with the computer, a beep will sound when you turn on the power. If the module is installed in slot A, there will be a long beep followed by a short beep. If the module is in slot B, there will be a long beep followed by two short beeps. In this case shut down the power and remove the incompatible module.

2. Remove all cables connected to the computer.
3. Turn the computer upside down and remove the battery pack (refer to Chapter 6, *Power and Power-Up Modes*.)
4. Remove two screws securing the memory module cover.
5. Lift off the cover.



Use a point size 0 Phillips screwdriver.



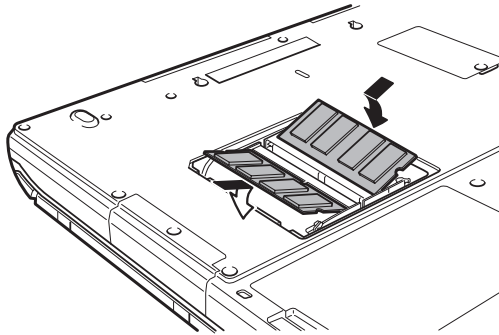
Removing the cover

6. Insert the memory module into the connector on the computer. Press the module carefully and firmly to ensure a solid connection.

7. Push the module down so that it lies flat and is secured by two latches.



Do not touch the connectors on the memory module or on the computer. Debris on the connectors may cause memory access problems.



Inserting the memory module

8. Seat the cover and secure it with two screws.
9. When you turn the computer on, it should automatically recognise the total memory capacity. Use the HW Setup program to verify that the added memory is recognised. If it is not recognised, check the module's connection.

Removing a memory module

To remove the memory module, make sure the computer is in boot mode then:

1. Turn the computer off and remove all cables connected to the computer.



If you use the computer for a long time, the memory modules will become hot. In this case, let the memory modules cool to room temperature before you replace them.

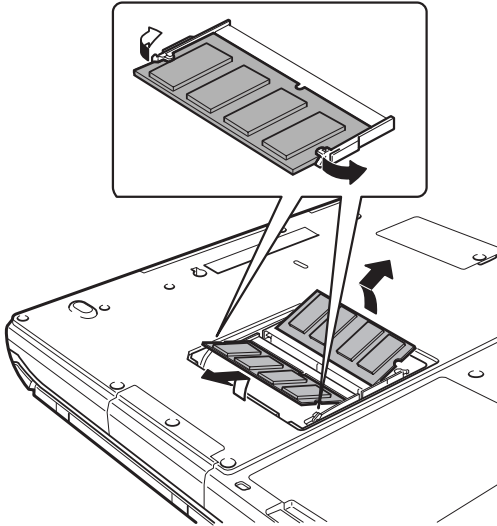
Do not try to remove a memory module with the computer turned on or turned off in Standby and Hibernation mode. You can damage the computer and the memory module.

2. Turn the computer upside down and remove the battery pack (refer to Chapter 6, *Power and Power-Up Modes*.)
3. Remove two screws securing the memory module cover.

4. Lift off the cover.
5. Use a slender object such as a pen to press two latches on either side of the memory module to the outside. The memory module will pop up.
6. Grasp the memory module by the sides and pull it out.



Do not touch the connectors on the memory module or on the computer. Debris on the connectors may cause memory access problems.



Removing the memory module

7. Seat the cover and secure it with two screws.

Additional battery pack

You can increase the portability of the computer with additional battery packs (PA3191*). If you're away from an AC power source, you can replace a low battery with a fully charged one. See Chapter 6, *Power and Power-Up Modes*.

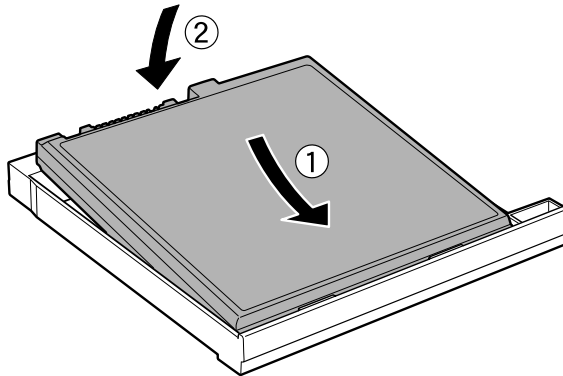
Slim SelectBay 2nd battery pack

You can install a secondary battery pack (PA3129*) in the computer's Slim SelectBay. The battery comes with an adaptor. For details on using the adaptor, follow the steps below. For details on installing modules in the Slim SelectBay, refer to Chapter 4, *Operating Basics*.

Installing

To install the secondary battery pack in the adaptor, follow the steps below.

1. Fit the side of the secondary battery pack opposite the connector into the adaptor.
2. Lay the battery into the adaptor. The latch should close automatically to secure the secondary battery pack.

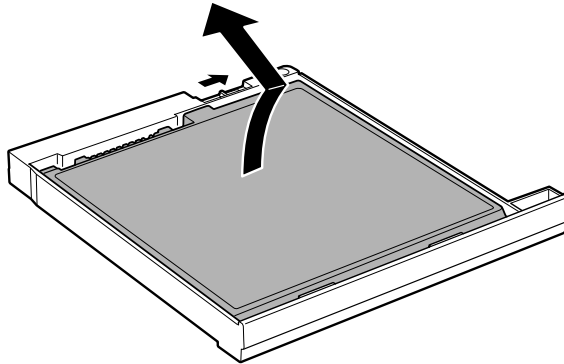


Installing the secondary battery pack in the adaptor

Removing

To remove the secondary battery from the adaptor, follow the steps below.

1. Slide the latch in the direction of the arrow shown below.
2. Push the secondary battery pack up from the bottom and lift it out.



Removing the secondary battery pack from the adaptor

Additional AC adaptor

If you frequently transport the computer between different sites such as your home and office, purchasing an AC adaptor for each location will reduce the weight and bulk of your carrying load: PA3201*.

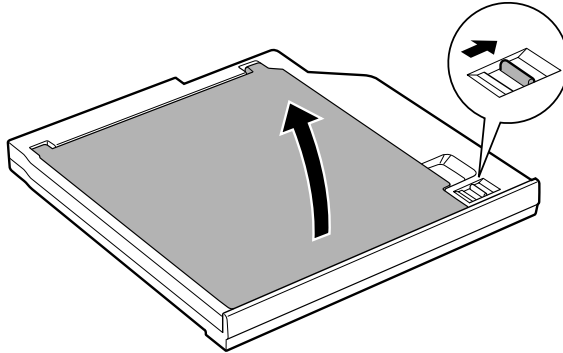
Battery charger

The battery charger (PA3091*) provides a convenient way to charge battery packs without requiring the use of your computer. The battery charger holds up to two Lithium-ion battery packs, which it charges one after the other in succession. Charging time is about 3.0 hours per battery.

Slim SelectBay HDD adaptor

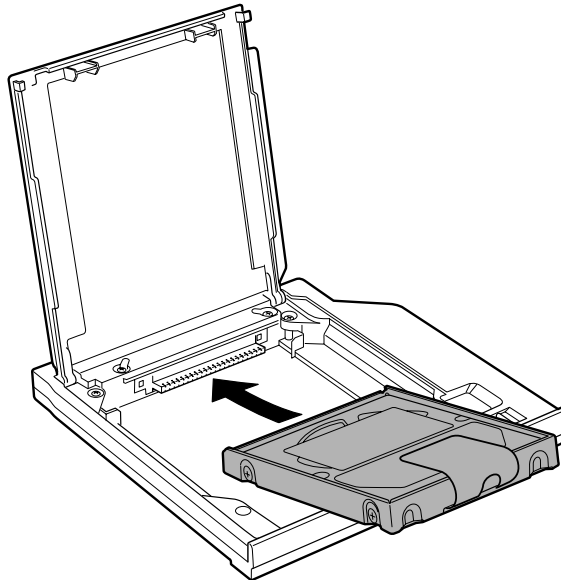
A integrated 2 ½" HDD is available for installation in the Slim SelectBay. To install an HDD in the Slim SelectBay HDD adaptor follow the steps below.

1. Slide the lock to the unlock position and open the lid.



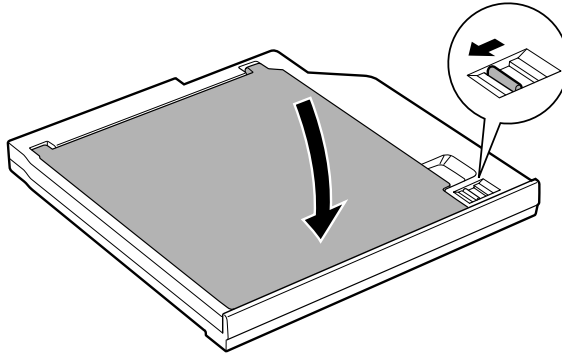
Opening the lid

2. Insert the HDD and push forward to ensure a firm connection.



Installing the HDD

3. Close the lid and slide the lock to the lock position.



Closing the lid

For details on installing the Slim SelectBay HDD adaptor in the Slim SelectBay, refer to Chapter 4, *Operating Basics*.

USB diskette drive

The 3 ½" external diskette drive module can be connected to the USB port. For details on connecting the 3 ½" external diskette drive module, refer to Chapter 4, *Operating Basics*.

Advanced Port Replicator

In addition to the ports available on the computer, the Port Replicator provides, audio line-out jack, line-in jack and separate ports for PS/2 mouse and PS/2 keyboard. The Port Replicator connects directly to the docking interface on the bottom of the computer. The AC adaptor connects the Advanced Port Replicator to a power source.



The computer must be configured properly before connecting to a LAN. Logging onto a LAN using the computer's default settings could cause a malfunction in LAN operation. Check with your LAN administrator regarding set-up procedures.

The following ports and accessories are available on the Advanced Port Replicator.

- One RJ45 LAN jack
- One RJ11 Modem jack
- External monitor port
- Parallel port
- Serial port
- PS/2 mouse port
- PS/2 keyboard port
- DC IN socket
- Security lock slot
- Audio line-in, line-out jacks
- Universal Serial Bus (two) ports
- i.LINK (IEEE 1394) port (This port is not supported by the computer.)
- DVI port (This port is not supported by the computer.)



When an Advanced Port Replicator is connected to the computer, remove all cables connected to the computer.

The TE2100 does not support the DVI and i.LINK ports on the Advanced Port Replicator.

Parallel printer

You can connect any standard Centronics-compatible parallel printer to your computer. All you need is an IBM PC™ parallel printer cable. Your dealer can supply one or you can purchase one at most computer stores.

The cable's connectors are designed so that it is impossible for you to connect them incorrectly. You can also connect a parallel printer to an optional Advanced Port Replicator. To connect a printer, follow these steps:

1. Turn off the computer.
2. Insert one end of the cable into the computer's parallel port.
3. Tighten the screws that fasten the cable connector to the computer's parallel port.
4. Insert the other end of the cable into the printer's parallel connector.
5. Fasten the connector to the printer with the clips on the parallel port.
6. Turn on the printer.
7. Turn on the computer.
8. Start the Hardware Setup program. Refer to Chapter 7 *HW Setup and Passwords*.
9. Select the **Parallel/Printer** tab from the **TOSHIBA HW Setup** window.
10. Set the **Parallel Port Mode** and press **OK**.
11. Choose **Reboot** for the change to take effect.
12. Select the printer in Windows Add Print Wizard. To access the **Add Print Wizard** utility, click **Start**, point to **Settings**, click **Printers** and double click the **Add Printer** icon.

External monitor

An external analog monitor can be connected to the external monitor port on the computer or Advanced Port Replicator. The computer supports VGA and Super VGA video modes. To connect a monitor, follow the steps below.



If an external monitor is connected to the computer, do not connect the Advanced Port Replicator. First disconnect the external monitor from the computer then connect the Advanced Port Replicator and use its external monitor port.



The Resume feature can be used with an external monitor. Simply enable Resume and the computer will maintain the data as it is displayed on the external monitor.

1. Connect the monitor to the external monitor port.
2. Turn the monitor's power on.

When you turn on the power, the computer automatically recognises the monitor and determines whether it is colour or monochrome.

You can use the HW Setup to select between **Auto-Selected** and **Simultaneous** displays. Refer to Chapter 7, *HW Setup and Passwords*.

If you have selected **Simultaneous** under the **Display** options of the HW Setup, both the external monitor and the internal LCD will be active when you turn on the computer. If **Auto-Selected** is selected, only the external monitor will be active.

To change the display settings, press **Fn + F5**. If you disconnect the monitor before you turn the computer off, be sure to press **Fn + F5** to switch to the internal display. Refer to Chapter 5, *The Keyboard*, for details on using hotkeys to change the display setting.

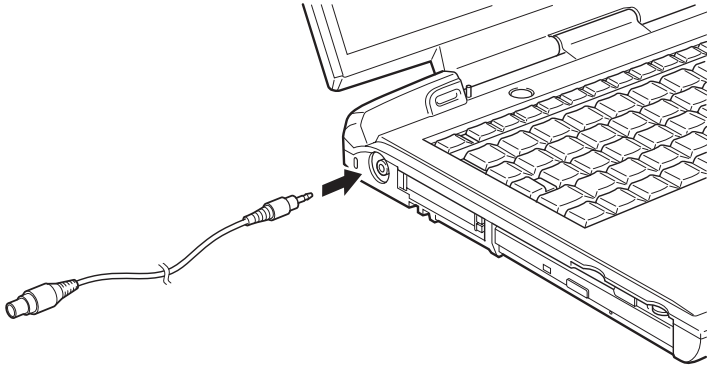


*If you set **Simultaneous** for the computer's display, you must set the computer's display resolution to the same as that of the external monitor or other device, such as a projector.*

Television

A television can be connected to the video out port on the computer. To connect a television, follow the steps below.

1. Turn the computer off.
2. Use a video cable (not supplied) to connect the television to the video out port.



Connecting a television

3. Turn the television on.
4. Turn the computer on.

PS/2 mouse

Use the PS/2 keyboard/mouse port on the computer or optional Advanced Port Replicator to connect a PS/2 mouse.

Make sure the mouse has a cable with a 6-pin connector for the PS/2 mouse port. If the mouse's cable is not compatible, see your dealer for an adaptor cable.



*How the computer treats the connection to a PS/2 mouse depends on the setting for **Pointing Devices** under the HW Setup program. If **Simultaneous** is selected, you can operate both the AccuPoint II and the PS/2 mouse. If **Auto-Selected** is chosen, the AccuPoint II is disabled when a PS/2 mouse is connected.*

If you connect a PS/2 mouse to the computer while it is in Standby mode, you will not be able to use the mouse when you turn the computer on.

To connect a PS/2 mouse:

1. Turn the computer off.
2. Connect the PS/2 mouse to the PS/2 keyboard/mouse port on the computer or the mouse port on the optional Advanced Port Replicator, pressing gently to assure a firm connection.
3. Turn on the computer.

To disconnect the mouse, turn off the computer and pull out the mouse connector.

Consult your mouse manual for instructions on how to install necessary software.

PS/2 keyboard

Use the PS/2 keyboard/mouse port on the computer or optional Advanced Port Replicator to connect a PS/2 keyboard. When an external keyboard is connected, you can use both the external keyboard and the computer's internal keyboard. To connect a PS/2 keyboard:



If you connect a PS/2 keyboard to the computer while it is in Standby mode, you will not be able to use the keyboard when you turn the computer on.

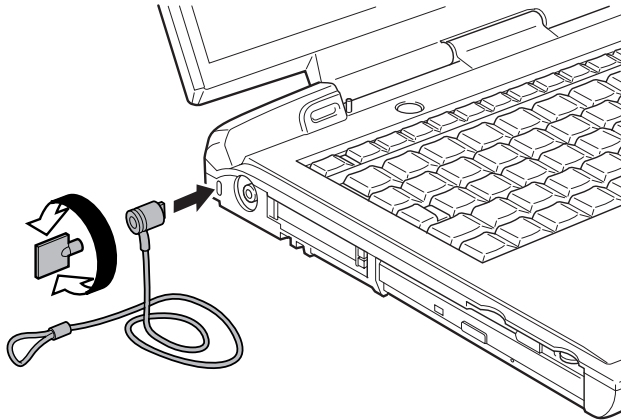
1. Turn the computer off.
2. Plug the PS/2 keyboard connector into the PS/2 keyboard/mouse port on the computer or the keyboard port on the optional Advanced Port Replicator, pressing gently to assure a firm connection.
3. Turn on the computer.

To disconnect the keyboard, turn off the computer and pull out the keyboard connector.

Security lock

A security lock enables you to anchor your computer to a desk or other heavy object to help prevent unauthorised removal of the computer.

Attach one end of a cable to the desk and the other end to the security lock slot on the left side of the computer.



Security lock

Troubleshooting

TOSHIBA designed the computer for durability. However, should problems occur, following the procedures in this chapter can help to determine the cause.

All readers should become familiar with this chapter. Knowing what might go wrong can help prevent problems from occurring.

Problem solving process

Resolving problems will be much easier if you observe the following guidelines:

- Stop immediately when you recognise a problem exists. Further action may result in data loss or damage. You may destroy valuable problem-related information that can help solve the problem.
- Observe what is happening. Write down what the system is doing and what actions you performed immediately before the problem occurred. If you have a printer attached, print a copy of the screen using **PrtSc**.

The questions and procedures offered in this chapter are meant as a guide, they are not definitive problem solving techniques. Many problems can be solved simply, but a few may require help from your dealer. If you find you need to consult your dealer or others, be prepared to describe the problem in as much detail as possible.

Preliminary checklist

Consider the simplest solution first. The items in this checklist are easy to fix and yet can cause what appears to be a serious problem.

- Make sure you turn on all peripheral devices before you turn on the computer. This includes your printer and any other external device you are using.
- Before you attach an external device, turn the computer off. When you turn the computer back on it recognises the new device.
- Make sure all options are set properly in the setup program.
- Check all cables. Are they correctly and firmly attached? Loose cables can cause signal errors.
- Inspect all connecting cables for loose wires and all connectors for loose pins.
- Check that your diskette is correctly inserted and that the diskette's write protect tab is correctly set.

Make notes of your observations and keep them in a permanent error log. This will help you describe your problems to your dealer. If a problem recurs, the log will help you identify the problem faster.

Analysing the problem

Sometimes the system gives clues that can help you identify why it is malfunctioning. Keep the following questions in mind:

- Which part of the system is not operating properly: keyboard, diskette drives, hard disk drive, printer, display. Each device produces different symptoms.
- Is the operating system configuration set properly? Check the configuration options.
- What appears on the display screen? Does it display any messages or random characters? Print a copy of the screen if you have a printer attached. Look up the messages in the software and operating system documentation. Check that all connecting cables are correctly and firmly attached. Loose cables can cause erroneous or intermittent signals.
- Do any icons light? Which ones? What colour are they? Do they stay on or blink? Write down what you see.
- Do you hear any beeps? How many? Are they long or short? Are they high pitched or low? Is the computer making any unusual noises? Write down what you hear.

Record your observations so you can describe them to your dealer.

Software

The problems may be caused by your software or diskette. If you cannot load a software package, the media (usually a diskette) may be damaged or the program might be corrupted. Try loading another copy of the software.

If an error message appears while you are using a software package, check the software documentation. These documents usually include a problem solving section or a summary of error messages.

Next, check any error messages in the OS documentation.

Hardware

If you cannot find a software problem, check your hardware. First run through the items in the preliminary checklist above. If you still cannot correct the problem, try to identify the source. The next section provides checklists for individual components and peripherals.

Hardware and system checklist

This section discusses problems caused by your computer's hardware or attached peripherals. Basic problems may occur in the following areas:

- System start-up
- Self test
- Power
- Password
- Keyboard
- LCD panel
- Hard disk drive
- CD-ROM drive
- CD-R/RW drive (optional)
- DVD-ROM drive
- CD-RW/DVD-ROM drive (optional)
- USB Diskette drive (optional)
- Infrared port
- Printer
- Pointing device
- PC card
- Monitor
- Sound system
- TV output signal
- USB
- Modem
- Standby/Hibernation
- Memory Expansion
- LAN
- Wireless LAN

System start-up

When the computer does not start properly, check the following items:

- Self Test
- Power Sources
- Power-on Password

Self test

When the computer starts up, the self-test will be run automatically, and the following will be displayed:



In Touch with Tomorrow
TOSHIBA

This message remains on the screen for a few seconds.

If the self test is successful, the computer tries to load the operating system. Depending on how the Boot Priority is set in the Hardware Setup program, the computer tries to load first from drive A then from drive C, or first from drive C then from drive A.

If any of the following conditions are present, the self test failed:

- The computer stops and does not proceed to display information or messages.
- A beep sounds, and after a few seconds no new messages appear.
- Random characters appear on the screen, and the system does not function normally.
- The screen displays an error message.

Turn off the computer and check all cable connections. If the test fails again, contact your dealer.

Power

When the computer is not plugged into an AC adaptor, the battery pack is the primary power source. However, your computer has a number of other power resources, including intelligent power supply and Real Time Clock battery. These resources are interrelated and any one could affect apparent power problems. This section provides check lists for AC adaptor and the main battery. If you cannot resolve a problem after following them, the cause could lie with another power resource. In such case, contact your dealer.

Overheating power down

If the computer's internal temperature becomes too high, the computer will automatically enter Hibernation or Resume mode and shut down.

Problem	Procedure
Computer shuts down and DC IN indicator blinks orange	<p>Leave the computer off until the DC IN indicator stops blinking.</p> <p>If the computer has reached room temperature and still does not start, or if it starts but shuts down quickly contact your dealer.</p>



*It is recommended to leave the computer off until the its interior reaches room temperature even though the **DC IN** indicator stops blinking.*

Computer shuts down and its DC IN indicator is flashing green	Indicates a problem with the heat dispersal system. Please contact your dealer.
---	---

AC power

If you have trouble turning on the computer with the AC adaptor connected, check the **DC IN** indicator. Refer to Chapter 6, *Power and Power-Up Modes* for more information.

Problem	Procedure
AC adaptor doesn't power the computer (DC IN indicator does not glow green)	<p>Check the connections. Make sure the cord is firmly connected to the computer and a power outlet.</p> <p>Check the condition of the cord and terminals. If the cord is frayed or damaged, replace it. If the terminals are soiled, wipe them with cotton or a clean cloth.</p> <p>If the AC adaptor still does not power the computer, contact your dealer.</p>

Battery

If you suspect a problem with the battery, check the **DC IN** indicator as well as the **Main battery** and **Slim SelectBay** indicators. For information on indicators and battery operation see Chapter 6, *Power and Power-Up Modes*.

Problem	Procedure
Battery doesn't power the computer	The battery may be discharged. Connect the AC adaptor to charge the battery.
Battery doesn't charge when the AC adaptor is attached (Main battery or Slim SelectBay indicator does not glow orange.)	<p>If the battery is completely discharged, it will not begin charging immediately. Wait a few minutes.</p> <p>If the battery still does not charge, make sure the outlet is supplying power. Test it by plugging in an appliance.</p> <p>Check whether the battery is hot or cold to the touch. If the battery is too hot or too cold, it will not charge properly. Let it reach room temperature.</p> <p>Unplug the AC adaptor and remove the battery to make sure the terminals are clean. If necessary wipe them with a soft dry cloth dipped in alcohol.</p> <p>Connect the AC adaptor and replace the battery. Make sure it is securely seated.</p> <p>Check the Battery indicator. If it does not glow, let the computer charge the battery for at least 20 minutes. If the Battery indicator glows after 20 minutes, let the battery continue to charge at least another 20 minutes before turning on the computer.</p> <p>If the indicator still does not glow, the battery may be at the end of its operating life. Replace it.</p> <p>If you do not think the battery is at the end of its operating life, see your dealer.</p>
Battery doesn't power the computer as long as expected	<p>If you frequently recharge a partially charged battery, the battery might not charge to its full potential. Fully discharge the battery, then try to charge it again.</p> <p>Check the power consumption settings in Power Saver utility. Consider using a power saving mode.</p>

Password

Problem	Procedure
Cannot enter password	Refer to the <i>Password</i> section in Chapter 7, <i>HW Setup and Passwords</i> .

Keyboard

Keyboard problems can be caused by your setup configuration. For more information refer to Chapter 5, *The Keyboard* and Chapter 7, *HW Setup and Passwords*.

Problem	Procedure
Some letter keys produce numbers	Check that the numeric keypad overlay is not selected. Press Fn + F10 and try typing again.
Output to screen is garbled	Make sure the software you are using is not remapping the keyboard. Remapping involves reassigning the meaning of each key. See your software's documentation. If you are still unable to use the keyboard, consult your dealer.

LCD panel

Apparent LCD problems may be related to the computer's setup. Refer to Chapter 7, *HW Setup and Passwords*, for more information.

Problem	Procedure
No display	Press hotkeys Fn + F5 to change the display priority, to make sure it is not set for an external monitor.
Problems above remain unresolved or other problems occur	Refer to your software's documentation to determine if the software is causing the difficulty. Contact your dealer if the problems continue.

Hard disk drive

Problem	Procedure
Computer does not boot from hard disk drive	Check if a diskette is in the diskette drive. If a diskette is inserted, remove it and reboot. There may be a problem with your operating system files. Refer to your OS documentation.
Slow performance	Your files may be fragmented. Run SCANDISK and defragmenter to check the condition of your files and disk. Refer to your OS documentation or online HELP for information on running SCANDISK and the defragmenter. As a last resort, reformat the hard disk. Then, reload the operating system and other files. If problems persist, contact your dealer.

CD-ROM drive

For more information, refer to Chapter 4, *Operating Basics*.

Problem	Procedure
You cannot access a CD in the drive	<p>Make sure the drive's drawer is securely closed. Press gently until it clicks into place.</p> <p>Open the drawer and make sure the CD is properly seated. It should lie flat with the label facing up.</p> <p>A foreign object in the drawer could block laser light from reading the CD. Make sure there is no obstruction. Remove any foreign object.</p> <p>Check whether the CD is dirty. If necessary, wipe it with a clean cloth dipped in water or a neutral cleaner. See the <i>CD/DVDs care</i> section in Chapter 4 for details on cleaning.</p>
Some CDs run correctly, but others do not	<p>The software or hardware configuration may be causing a problem. Make sure the hardware configuration matches your software's needs. Check the CD's documentation.</p> <p>Check the type of CD you are using. The drive supports:</p> <p>CD-ROM: Enhanced CD(CD-EXTRA), Photo CD, CD-R (read only), CD-ROM, CD-Rewritable (read only), CD-ROM x A Mode 2(Form1,Form2), CD-DA, CD-Text</p> <p>If problems persist, contact your dealer.</p>

CD-R/RW drive

For more information, refer to Chapter 4, *Operating Basics*.

Problem	Procedure
You cannot access a CD in the drive	<p>Make sure the drive's drawer is securely closed. Press gently until it clicks into place.</p> <p>Open the drawer and make sure the CD is properly seated. It should lie flat with the label facing up.</p> <p>A foreign object in the drawer could block laser light from reading the CD. Make sure there is no obstruction. Remove any foreign object.</p> <p>Check whether the CD is dirty. If necessary, wipe it with a clean cloth dipped in water or a neutral cleaner. See the <i>CD/DVDs care</i> section in Chapter 4 for details on cleaning.</p>
Some CDs run correctly, but others do not	<p>The software or hardware configuration may be causing a problem. Make sure the hardware configuration matches your software's needs. Check the CD's documentation.</p> <p>Check the type of CD you are using. The drive supports:</p> <p>CD-ROM: Enhanced CD(CD-EXTRA), Photo CD, CD-R,CD-ROM, CD-Rewritable,CD-ROM x A Mode 2(Form1,Form2), CD-DA, CD-Text</p> <p>If problems persist, contact your dealer.</p>

DVD-ROM drive

For more information, refer to Chapter 4, *Operating Basics*.

Problem	Procedure
You cannot access a DVD in the drive	<p>Make sure the drive's drawer is securely closed. Press gently until it clicks into place.</p> <p>Open the drawer and make sure the DVD is properly seated. It should lie flat with the label facing up.</p> <p>A foreign object in the drawer could block laser light from reading the DVD. Make sure there is no obstruction. Remove any foreign object.</p> <p>Check whether the DVD is dirty. If it is, wipe it with a clean cloth dipped in water or a neutral cleaner. See the <i>CD/DVDs care</i> section in Chapter 4, <i>Operating Basics</i>, for details on cleaning.</p> <p>Check the Slim SelectBay lock on the bottom of the computer. It should be in the lock position.</p> <p>Check HW Setup, if DVD-ROM is not displayed as the Slim SelectBay module, remove the DVD-ROM drive and reinsert it.</p>
Some DVD/CDs run correctly, but others do not	<p>The software or hardware configuration may be causing a problem. Make sure the hardware configuration matches your software's needs. Check the DVD/CD's documentation.</p> <p>Check the type of DVD/CD you are using. The drive supports:</p> <p>DVD-ROM: DVD-ROM, DVD-Video</p> <p>CD-ROM: Enhanced CD(CD-EXTRA), Photo CD, CD-R (read only), CD-ROM, CD-Rewritable (read only), CD-ROM x A Mode 2(Form1,Form2), CD-DA, CD-Text</p> <p>Check the region code on the DVD. It must match that on the DVD drive. Region codes are listed in the <i>DVD-ROM drive</i> section in Chapter 2, <i>The Grand Tour</i>.</p> <p>If problems persist, contact your dealer.</p>

CD-RW/DVD-ROM drive

For more information, refer to Chapter 4, *Operating Basics*.

Problem	Procedure
You cannot access a CD or DVD in the drive	<p>Make sure the drive's drawer is securely closed. Press gently until it clicks into place.</p> <p>Open the drawer and make sure the CD or DVD is properly seated. It should lie flat with the label facing up.</p> <p>A foreign object in the drawer could block laser light from reading the CD or DVD. Make sure there is no obstruction. Remove any foreign object.</p> <p>Check whether the DVD is dirty. If it is, wipe it with a clean cloth dipped in water or a neutral cleaner. See the <i>CD/DVDs care</i> section in Chapter 4, <i>Operating Basics</i>, for details on cleaning.</p>
Some DVD/CDs run correctly, but others do not	<p>The software or hardware configuration may be causing a problem. Make sure the hardware configuration matches your software's needs. Check the DVD/CD's documentation.</p> <p>Check the type of DVD/CD you are using. The drive supports:</p> <p>DVD-ROM: DVD-ROM, DVD-Video</p> <p>CD-ROM: Enhanced CD(CD-EXTRA), Photo CD, CD-R, CD-ROM, CD-Rewritable, CD-ROM x A Mode 2 (Form1,Form2), CD-DA, CD-Text</p> <p>Check the region code on the DVD. It must match that on the DVD drive. Region codes are listed in the <i>DVD-ROM drive</i> section in Chapter 2, <i>The Grand Tour</i>.</p> <p>If problems persist, contact your dealer.</p>

Diskette drive

For more information, refer to Chapter 4, *Operating Basics*.

Problem	Procedure
Drive does not operate	There may be a faulty cable connection. Check the connection to the computer and to the drive.
Some programs run correctly but others do not	The software or hardware configuration may be causing a problem. Make sure the hardware configuration matches your software needs.
You cannot access the external 3 1/2" diskette drive	Try another diskette. If you can access the diskette, the original diskette (not the drive) is probably causing the problem. If problems persist, contact your dealer.

Infrared port

Refer also to the documentation for your IrDA compatible device and related software.

Problem	Procedure
Infrared devices do not work as expected	Check that the device is connected to an electric outlet. Make sure the outlet is supplying power by plugging in an appliance. Make sure there is no obstruction blocking communication between the computer and the target device. If problems persist, contact your dealer.

Printer

Refer to the troubleshooting and other relevant sections in your printer and software documentation.

Problem	Procedure
Printer does not turn on	Check that the printer is connected to an electric outlet. Make sure the outlet is supplying power by plugging in an appliance.
Computer/printer do not communicate	<p>Make sure the printer is turned on and is online (ready to use).</p> <p>Inspect the cable connecting the printer to the computer for damage. Make sure it is securely connected.</p> <p>A parallel printer connects to the parallel port and a serial printer to the serial port. Make sure the ports are configured correctly.</p> <p>Make sure your software is configured to recognise the printer. Check your printer and software documentation.</p>
Printer error	<p>Check your printer documentation.</p> <p>If problems persist, contact your dealer.</p>

Pointing device

If you are using a PS/2 or serial mouse, also refer to Chapter 8, *Optional Devices*, and to your mouse documentation.

AccuPoint II

Problem	Procedure
On-screen pointer does not respond to AccuPoint II operation	<p>If a PS/2 or serial mouse is connected, check the HW Setup window. The Pointing Device option should be set to Simultaneous to use both the AccuPoint II and an external PS/2 mouse.</p> <p>If problems persist, contact your dealer.</p>

PS/2 mouse

Problem	Procedure
On-screen pointer does not respond to PS/2 mouse operation	<p>Check that the PS/2 mouse cable's 6-pin connector is firmly connected to the PS/2 mouse/keyboard port.</p> <p>You may have connected the mouse after turning the computer on. Turn off the computer, make sure the mouse is firmly connected and turn the computer back on.</p> <p>Is your software configured to recognise the mouse? Check the software documentation.</p> <p>If problems persist, contact your dealer.</p>

Serial mouse

This section applies only with Windows®XP operating systems. You cannot use a serial mouse with Windows®2000.

Problem	Procedure
On-screen pointer does not respond to serial mouse operation	<p>Check for a firm connection between the computer's serial port and the cable's 9-pin connector.</p> <p>Did you connect the mouse before turning on the computer?</p> <p>Is your software configured to recognise the mouse? Check the software documentation.</p> <p>If problems persist, contact your dealer.</p>

PC card

Refer also to Chapter 8, *Optional Devices*.

Problem	Procedure
PC card error occurs	<p>Reseat the PC card to make sure it is firmly connected.</p> <p>Make sure the connection between the external device and the card is firm.</p> <p>Check the card's documentation.</p> <p>If problems persist, contact your dealer.</p>

Monitor

Refer also to Chapter 8, *Optional Devices*, and to your monitor's documentation.

Problem	Procedure
Monitor does not turn on	Make sure that the external monitor's power switch is on. Confirm that the external monitor's power cable is plugged into a working power outlet.
No display	Try adjusting the contrast and brightness controls on the external monitor. Press hotkeys Fn + F5 to change the display priority and make sure it is not set for the internal display.
Display error occurs	Check that the cable connecting the external monitor to the computer is attached firmly. If problems persist, contact your dealer.

Sound system

Problem	Procedure
No sound is heard	Adjust the volume control dial. Check the software volume settings. Make sure the headphone connection is secure. Check Windows Device Manager. Make sure the sound function is enabled and that settings for I/O address, Interrupt level and DMA are correct for your software and do not conflict with other hardware devices that you may have connected to the computer. If problems persist, contact your dealer.

TV output signal

Problem	Procedure
Display on TV is poor	Make sure the TV type is correct for your area: NTSC (US, JAPAN), PAL (Europe).
No display	<p>Try adjusting the contrast and brightness controls on the external monitor.</p> <p>Press hotkeys Fn + F5 to change the display. Refer to Chapter 5, <i>Keyboard</i>.</p> <p>If problems persist, contact your dealer.</p>



If you turn the computer off in Resume mode while the display is on TV, the computer will select either the internal LCD or an external computer CRT as the display device.

USB

Refer also to your USB device's documentation.

Problem	Procedure
USB device does not work	<p>Check for a firm cable connection between the USB ports on the computer and the USB device.</p> <p>Make sure the USB device drivers are properly installed. Refer to your Windows documentation for information on checking the drivers.</p> <p>If you are using an operating system that does not support USB, you can still use a USB mouse and/or USB keyboard. If these devices do not work, make sure the USB KB/Mouse Legacy Emulation item in HW Setup is set to Enabled.</p> <p>If problems persist, contact your dealer.</p>

Modem

Problem	Procedure
Communication software can't initialise modem	Make sure the computer's internal modem settings are correct. Refer to <i>Phone and Modem Options</i> in the Control Panel.
You can hear a dial tone but can't make a call	If the call is going through a PBX machine, make sure the communication application's tone dial detection feature is disabled. You can also use the ATX command.
You place a call, but a connection can't be made	Make sure the settings are correct in your communications application.
After making a call you can't hear a ring	Make sure the tone or pulse selection in your communications application is set correctly. You can also use the ATD command.
Communication is cut off unexpectedly	The computer will automatically cut off communication when connection with the carrier is not successful for a set time interval. Try lengthening this time interval.
A CONNECT display is quickly replaced by NO CARRIER	Check the error control setting in your communications application. You can also use the ATN command.
Character display becomes garbled during a communication	In data transmission, make sure the parity bit and stop bit settings correspond with those of the remote computer. Check the flow control and communication protocol.
You cannot receive an incoming call	Check the rings before auto answer setting in your communications application. You can also use the ATS0 command. If problems persist, contact your dealer.

Standby/Hibernation

Problem	Procedure
The system will not enter Standby/Hibernation	<p>Is Windows Media™ Player open? The system might not enter Standby/Hibernation, if Windows Media Player is either playing a selection or finished playing a selection. Close Windows Media Player before you select Standby/Hibernation.</p> <p>If problems persist, contact your dealer.</p>

Memory expansion

Refer also to Chapter 8, *Optional Devices*, for information on installing memory modules.

Problem	Procedure
<p>Beep sounds and computer displays Please remove the incompatible memory module in Slot X (X represents A or B)</p>	<p>Make sure the memory module installed in the expansion slot is compatible with the computer. If an incompatible module has been installed, follow the steps below.</p> <ol style="list-style-type: none"> 1. Disconnect the AC adaptor and all peripheral devices. 2. Remove the battery pack. 3. Remove the memory module. 4. Replace the battery pack and/or connect the AC adaptor. 5. Turn on the power. <p>If problems persist, contact your dealer.</p>

LAN

Problem	Procedure
Cannot access LAN	<p>Check for a firm cable connection between the LAN jack and the LAN HUB.</p> <p>If problems persist, consult your LAN administrator.</p>

Wireless LAN

If the following procedures do not restore LAN access, consult your LAN administrator. For more information on wireless communication, refer to Chapter 4, *Operating Basics*.

Problem	Procedure
Cannot access Wireless LAN	Make sure the computer's wireless communication switch is set to on. If problems persist, consult your LAN administrator.

If you need further assistance

If you require any additional help using your computer or if you are having problems operating the computer, you may need to contact Toshiba for additional technical assistance.

Before you call

Some problems you experience may be related to software or the operating system, it is important to investigate other sources of assistance first. Before contacting Toshiba, try the following:

- Review troubleshooting sections in the documentation for software and peripheral devices.
- If a problem occurs when you are running software applications, consult the software documentation for troubleshooting suggestions. Call the software company's technical support for assistance.
- Consult the dealer you purchased your computer and/or software from. They are your best sources for current information and support.

Where to write

If you are still unable to solve the problem and suspect that it is hardware related, write to Toshiba at the nearest location listed in Appendix C.

Appendix A

Specifications

This appendix summarises the computer's technical specifications.

Physical Dimensions

Size	With TFT display: 316 (w) x 275 (d) x 33.9/38.1 (h) millimetres (does not include the thicker part of the bottom of the computer)
Weight	2.4 kg typical with weight saver insert and 14" XGA-TFT Display. 2.6 kg typical with CD-ROM and 14" XGA-TFT Display. 2.8 kg typical with CD-RW/DVD-ROM and 14" XGA-TFT Display. Weight will vary depending on whether or not and what kind of options are adopted.

Environmental Requirements

Conditions	Ambient temperature	Relative humidity
<i>Operating</i>	5°C (41°F) to 35°C (95°F)	20% to 80%
<i>Nonoperating</i>	-20°C (-4°F) to 65°C (149°F)	10% to 90%
<i>Thermal Gradient</i>	20°C per hour maximum	
<i>Wet-bulb temperature</i>	26°C maximum	
Conditions	Altitude (from sea level)	
<i>Operating</i>	-60 to 3,000 meters	
<i>Nonoperating</i>	-60 to 10,000 meters maximum	

Power Requirements

AC adaptor	100- 240 volts AC 50 or 60 hertz (cycles per second)
Computer	15 VDC 5.0 amperes

Built-in Modem

Network control unit (NCU)

Type of NCU	AA
Type of line	Telephone line (analog only)
Type of dialling	Pulse Tone
Control command	AT commands EIA-578 commands
Monitor function	Computer's speaker

Communication specifications

Communication system	Data: Full duplex Fax: Half duplex
Communication protocol	Data ITU-T-Rec V.21/V.22/V.22bis/ (Former CCITT) V.32/V.32bis/V.34/ V.90 Bell 103/212A Fax ITU-T-Rec V.17/V.29/V.27ter/ (Former CCITT) V.21 ch2
Communication speed	Data transmission and reception 300/1200/2400/4800/7200/9600/12000/14400/ 16800/19200/21600/24000/26400/28800/31200/ 33600 bps Data reception only with V.90 28000/29333/30666/32000/33333/34666/36000/ 37333/38666/40000/41333/42666/44000/45333/ 46666/48000/49333/50666/52000/53333/54666/ 56000 bps Fax 2400/4800/7200/9600/12000/14400 bps
Error correcting	MNP class 4 and ITU-T V.42
Data compression	MNP class 5 and ITU-T V.42bis

Appendix B

AC Power Cord and Connectors

The power cord's AC input plug must be compatible with the various international AC power outlets and the cord must meet the standards for the country in which it is used. All cords must meet the following specifications:

Length:	Minimum 2 metres
Wire size:	Minimum 0.75 mm ²
Current rating:	Minimum 2 Amperes
Voltage rating:	125 or 250 VAC (depending on country's power standards)

Certification agencies

U.S. and Canada:	UL listed and CSA certified No. 18 AWG, Type SVT or SPT-2 two conductor
-------------------------	--

Australia:	AS
-------------------	----

Europe:

Austria:	OVE
-----------------	-----

Belgium:	CEBEC
-----------------	-------

Denmark:	DEMKO
-----------------	-------

Finland:	SETI
-----------------	------

France:	UTE
----------------	-----

Germany:	VDE
-----------------	-----

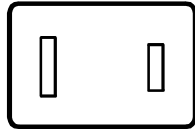
Italy:	IMQ
The Netherlands:	KEMA
Norway:	NEMKO
Sweden:	SEMKO
Switzerland:	SEV
United Kingdom:	BSI

In Europe, power cords must be VDE type, H05VVH2-F and two conductor.

For the United States and Canada, plug configuration must be a 2-15P (250 V) or 1-15P (125 V) as designated in the U.S. National Electrical code handbook and the Canadian Electrical Code Part II.

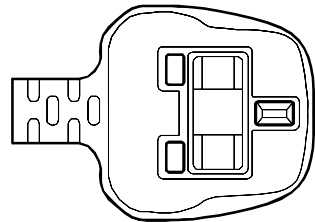
The following illustrations show the plug shapes for the U.S.A. and Canada, the United Kingdom, Australia and Europe.

USA and Canada



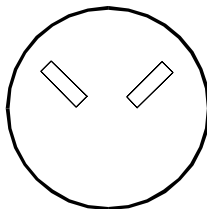
UL approved
CSA approved

United Kingdom



BS approved

Australia



AS approved

Europe



Approved by the
appropriate agency

Appendix C

The Toshiba International Warranty

The Toshiba International Warranty is a service policy on the parts and repair on your Toshiba portable personal computer which is automatically available to purchasers of the computer.

The cover is assured in major industrial countries of the world. It means that wherever you take your Toshiba mobile PC in this area, you will never be left without help should any problems arise.

What the warranty covers

The Warranty covers the computer in the standard version, including the AC adaptor. Batteries, modems, memory expansion kits and other Toshiba branded options, as well as third party expansion boards are NOT covered by this warranty. For information concerning warranties for these products, please consult your dealer.



If you would like to use the international warranty, please register with Toshiba. In case no registration card for the international warranty was bundled with your computer, please contact the nearest Toshiba representation for registration.

On the following pages is a list of the Toshiba companies who can be contacted if a claim on the warranty needs to be made.

If users need further addresses in eastern Europe or outside Europe, these are available from the national or European companies.

Toshiba's Worldwide Computer Representatives

Australia	Toshiba (Australia) Pty. Limited 84-92 Talavera Road, North Ryde NSW 2113	Tel: +61-2-9887-3322 Fax: +61-2-9888-3664 http://www.isd.toshiba.com.au
Austria	Toshiba Europe GmbH Handelskai 388 1020 Wien	Tel: +43-1-72031000 Fax: +43-1-72031002 http://www.toshiba.at
Azerbaijan	AZEL (Azerbaijan Electronics) 5th Floor, fizuli Str. 65 370014 Baku	Tel: +99412-974040 Fax: +99412-974042
Belgium	Toshiba Information Systems (Belgium) SANV Excelsiorlaan 40, B-1930 Zaventem	Tel: +32-2-715-8700 Fax: +32-2-725-3030 http://www.toshiba.be
Bulgaria	IMPEX Sofia Ltd. 12, Anton Naidenov Street, POBox 184, 1700 Sofia	Tel: +359-2-962-1219 Fax: +359-2-962-5062
Canada	Toshiba of Canada Ltd. 191 McNabb Street Markham, Ontario L3R-8H2	Tel: +1-905470 3500 Fax: +1-905-470-3487 http://www.toshiba.ca
Czech Republic	CHG Service , s.r.o. Videòská 102, 619 00 Brno	Tel: +420-5-4742-6581 Fax: +420-5-4742-6590 http:// www.chgservice.cz or www.toshiba-pc.cz
Denmark	Toshiba Digital Media Naverland 27, DK-2600 Glostrup	Tel: +45-3823-7600 Fax: +45-3823-7601 http://www.toshiba.dk
Egypt	El Araby Co. 76 El Gomhouria Street, El Kourba P.O. Box 1224 Cairo 11511	Tel: +202-588-9618 Fax: +202-591-8395
Estonia	CHS Estonia Parnu mnt. 142A 11317 Tallinn	Tel: +372-6504-960 Fax: +372-6504-916
Finland	Scribona Suomi OY / TOSHIBA Digital Media Sinimäentie 14,P.O.Box 83, SF-02630 Espoo	Tel: +358-9-5272555 Fax: +358-9-5272500 http://www.toshiba.se
France	Toshiba Systèmes (France) S.A. 7 Rue Ampère, 92804 Puteaux Cedex	Tel: +33-1-4728-2929 Fax: +33-1-4728-2247 http://www.toshiba.fr/pc
Germany	Toshiba Europe GmbH Leibnizstraße 2, D-93055 Regensburg	Tel: +49-(0)941-7807-888 Fax: +49-(0)941-7807-948 http://www.toshiba-tro.de
Greece	Ideal Electronics S.A. 3 Aristotelous Str. 176 71 Kalithea/Athens	Tel: +30-10-9001130 Fax: +30-10-9001194

Hungary	Technotrade Kft. Szerencs utca 202, 1147 Budapest	Tel: +36-1-410-5987 Fax: +36-1-4106691 http://www.technotrade.hu
Ireland	See 'United Kingdom'	
Israel	Mafil Technologies (3000) Ltd 6, Bareket Street Petah Tikva, 49517	Tel: +972-3-9183333 Fax: +972-3-9241310 http://www.mafil.co.il
Italy	Progetto Elettronica 92 s.r.l. Via de Gasperi 88 A, 20017 Mazzo di Rho (MI)	Tel: +39-02-9397-5551 Fax: +39-02-9397-5299 http://www.toshiba.it/pc
Israel	Mafil Technologies (3000) Ltd 4, Achuzat Bayit Str. Tel-Aviv	Tel: +972-3-511-0105 Fax: +972-3-517-6230 http://www.mafil.co.il
Italy	Progetto Elettronica 92 s.r.l. Via de Gasperi 88a, 20017 Mazzo di Rho	Tel: +39-02-9397-5551 Fax: +39-02-9397-5299 http://www.toshiba.it/pc
Kuwait	Arabian Business Machines Co. Al Rai-Maintenance Dept., Salhiya Sulaiman, A. P. O. Box 29961, 13160 Safat	Tel: +965 242-9154 Fax: +965 241-4399
Japan	Toshiba Corporation, IOPC 1-1, Shibaura 1-Chome, Minato-KU Tokyo 105-01	Tel: +81-3-3457-5565 Fax: +81-3-5444-9262 http://www.toshiba.co.jp
Latvia	CHS Riga Kalnciema 12a LV1048 Riga	Tel: +371-27 60 20 52 Fax: + 371-7 61 38 87
Lebanon	Allied Computer Services S.A.L. (ALCS) Diab Bldg. Mkalles Rd., P.O. Box 311-316 Beirut	Tel: +961-1-682-000 Fax: +961-1-682-955
Lithuania	CHS Baltic Palemono 7A 3023 Kaunas	Tel: + 370 7 31 01 34 Fax: + 370 7 31 08 05
Luxemburg	See 'Netherlands'	
Malta	Tabone Computer Centre Limited 111 Old Railway Track HMR-16 St Venera	Tel: +356-21-49 36 04 Fax: +356-21-49 36 03 http://www.tabone.com.mt
Malta	Tabone Computer Centre Limited 111 Old Railway Track HMR-16 St Venera	Tel: +356-49 36 04 Fax: +356-49 36 03 http://www.tabone.com.mt
Morocco	C.B.I. Morocco, Lotissement Attaoufik Rue No 1 Immeuble29, Sidi Maar 20190 Casablanca	Tel: +212-22-43-71-71 Fax: +212-22-43-71-87
Netherlands	Toshiba Information Systems Benelux B.V. Rivium Boulevard 41 2909 LK Capelle a/d IJssel	Tel: +31-10-2882-300 Fax: +31-10-2882-390 http://www.toshiba.nl
Norway	Scribona Norge A/S; Toshiba PC Service Stålfjæra 20, P.O.Box 51, Kalbakken 0901 OSLO	Tel: +47-22-897-000 Fax: +47-22-897-389 http://www.toshiba.se

Oman (Sultanate of Oman)	Suhail&Saud Bahwan (SSB) Sarco Building, Ground Floor No. 459, Way No. 310 Al Noor Street, Ruwi 113 Muscat	Tel: +968-790 191 117 Fax: +968-790 192 http://www.ssbcd.co.com
Poland	AC Serwis Sp. Z o. o. ul. Partyzantów 71, 43-316 Bielsko-Biala	Tel: +48 (0-33)8130-205 Fax: +48 (0-33)8130-209 http://www.acserwis.com.pl
Portugal	Toshiba Informations Systems Portugal Edificio D. Pedro I, Quinta de Fonte 2780-730 Paço d' Arcos	Tel: +351-21-319-6565 Fax: +351-21-000-1675 http://www.toshiba.pt
Romania	Scop Computers SRL 162 Barbu Vacarescu St, Sector 2 71424 Bucharest	Tel: +40-1-231-4602 Fax: +40-1-231-4606 http://www.scop.ro
Russia	AC SERSO Sovetskoi Armii st. 5 127018 Moscow	Tel: +7 - 095 284 5577 Fax: +7 - 095 284 5880 http://www.cepcu.ru
Saudi Arabia	Arabian Business Machines Co. Dareen Center, Ahsaa Road P.O. Box 2006 11451 Riyadh	Tel: +966-1 478 4909 Fax: +966-1 477 7803
Slovakia	HT Computers a.s. Kosicka 37; 821 08 Bratislava	Tel: +421-2-50269 111 Fax: +421-2-50269 101 http://www.htc.sk
Portugal	Toshiba Informations Systems Portugal Edificio D. Pedro I, Sala 17, Quinta de Fonte 2780-730 Paço d' Arcos	Tel: +351-21-319-6565 Fax: +351-21-000-1675 http://www.toshiba.pt
Romania	Scop Computers SRL 162 Barbu Vacarescu St, Sector 2 71424 Bucharest	Tel: +40-1-231-4602 Fax: +40-1-231-4606 http://www.scop.ro
Russia	AC SERSO Sovetskoi Armii st. 5 127018 Moscow	Tel: +7 - 095 281 5505 Fax: +7 - 095 284 5577 http://www.cepcu.ru
Saudi Arabia	Arabian Business Machines Co. Dareen Center, Ahsaa Road P.O. Box 2006 11451 Riyadh	Tel: +966-1 478 4909 Fax: +966-1 477 7803
Slovakia	HTC a.s. Dobrovicova 8; 81109 Bratislava	Tel: +421-7-593345-50 Fax: +421-7-593345-55 http://www.htc.sk
Slovenia	Inea d.o.o. Ljubljanska 80, 61230 Domzale	Tel: +386-61-718-000 Fax: +386-61-721672 http://www.inea.si
South Africa	Ariel Toshiba Building Alphen West Office Park Cnr. George Road &15th, Randjespark Gauteng – 1685 Midrand	Tel: +27 11 314 5110 Fax: +27-11-314 5137

Spain	Toshiba Information Systems (España) S.A. Parque Empresarial San Fernando Edificio Europa, 1a Planta, Escalera A 28831 (Madrid) San Fernando de Henares	Tel: +34-91-6606-700 Fax: +34-91-6606-760 http://www.toshiba.es
Sweden	Scribona Toshiba PC AB Sundbybergsvägen 1, Box 1374 171 27 Solna	Tel: +46-200-212100 Fax: +46-8-734-4656 http://www.toshiba.se
Switzerland	Ozalid AG Herostrasse 7, 8048 Zürich	Tel: +41-1-439-7333 Fax: +41-1-439-7340 http://www.ozalid.ch
Turkey	Bekom Bilgisayar Elektronik Komunikasyon Buyukdere Cad. Laie Ishani No. 62 K., 1 Mecidiyeköy, Istanbul	Tel: +90 212 275 87 97 Fax: +90 212 275 8740 http://toshibatr.com
Ukraine	DKT-Serso Blvd Lesi Ukrainki 26 01133 Kiev	Tel: +380- 44-573-9627 Fax: +380- 44 254 4646 Internet: http://www.dkt-cepco.com.ua
United Arab Emirates	Al-Futtaim Electronics P.O. Box 531, Bin Ham Building, Mezzanine Floor Adjacent to BurJuman Dubai	Tel: +971 4 351 5004 Fax: +971 4 351 4254 http://www.toshibauae.com
United Kingdom	Toshiba Information Systems (UK) Ltd. Toshiba Court, Weybridge Business Park Addlestone Road, Weybridge KT15 2UL	Tel: +44-1932-828828 Fax: +44-1932-822958 http://www.toshiba.co.uk
United States	Toshiba America Information Systems, Inc. 9740 Irvine Blvd., Irvine, CA 92713-9724	Tel: +1-949-583-3000 Fax: +1-949-583-3345 http://www.toshiba.com
Yugoslavia	CT Computers Vladimira Popovica 6 Savski nas 11070 Beograd	Tel: +381 11 311 2060 Fax: +381 11 311 2060 http://www.comtrade.co.yu
Ukraine	DKT-Serso Lesya Ukrainka blv, 26 01133 Kiev	Tel: +380-(0) 44-573-9627
United Arab Emirates	Al-Futtaim Electronics P.O. Box 531, Bin Ham Building, Mezzanine Floor Adjacent to BurJuman Dubai	Tel: +971 4 351 5004 Fax: +971 4 351 4254 http://www.toshibauae.com
United Kingdom	Toshiba Information Systems (UK) Ltd. Toshiba Court, Weybridge Business Park Addlestone Road, Weybridge KT15 2UL	Tel: +44-1932-828828 Fax: +44-1932-822958 http://www.toshiba.co.uk
United States	Toshiba America Information Systems, Inc. 9740 Irvine Blvd., Irvine, CA 92713-9724	Tel: +1-949-583-3000 Fax: +1-949-583-3345 http://www.toshiba.com
Yugoslavia	CT Computers d.o.o Vladimira Popovica 6 11070 Beograd	Tel: +381 11 311 2060 Fax: +381 11 311 2060 http://www.comtrade.co.yu

Or for all countries not listed, please call the Toshiba
International Service Line:
or E-mail: toshibawarranty@unn.unisys.com

Tel: +352 460433

Toshiba addresses for the Internet/World Wide Web

Toshiba Europe

<http://www.toshiba-europe.com>

Toshiba America

<http://www.toshiba.com>

Toshiba Japan

<http://www.toshiba.co.jp>

Toshiba Canada

<http://www.toshiba.ca>

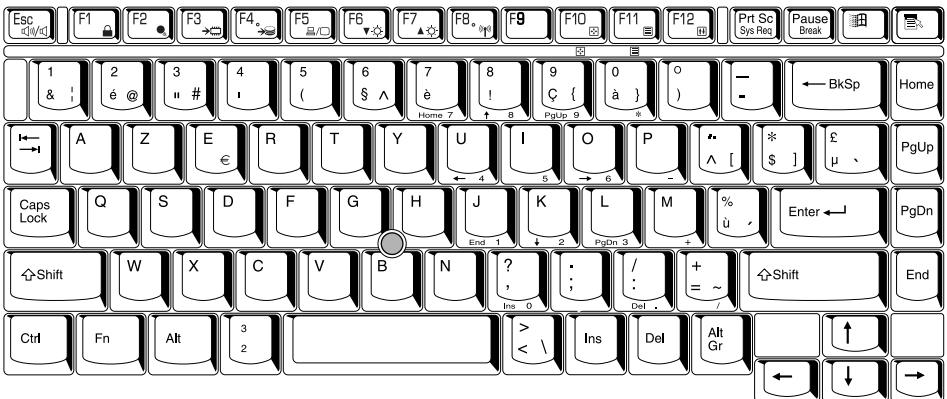
Appendix D

Keyboard Layouts

Arabic



Belgian



Danish



French



German



Greek



Hebrew



Italian



Norwegian



Polish



Portuguese



Russian



Spanish



Swedish



Swiss-German



Turkish



UK English



US English



Display Controller and Modes

Display controller

The display controller interprets software commands into hardware commands that turn particular pels on or off.

The controller is an advanced Video Graphics Array (VGA) that provides Super VGA (SVGA) and Extended Graphics Array (XGA) support for the internal LCD and external monitors.

The following model is available:

- 14.1" XGA, 1024 horizontal x 768 vertical pixels

A high-resolution external monitor connected to the computer can display up to 1600 horizontal and 1200 vertical pixels at up to 64k colours or 1024 horizontal and 768 vertical pixels at up to 16M colours.

The display controller also controls the video mode, which uses industry standard rules to govern the screen resolution and the maximum number of colours that can be displayed on screen.

Software written for a given video mode will run on any computer that supports the mode.

The computer's display controller supports all VGA and SVGA modes, the most widely used industry standards.

If your computer is stolen



Always take care of your computer and try to prevent it from being stolen. You are the owner of a valuable technical device, which may be highly attractive to thieves, so please do not leave it unattended in a public place. To further help protect against theft, security cables can be bought for use with your notebook when it is being used at home or in the office. Make a note of your computer's machine type, model number, and serial number, and put it in a safe place. You will find this information on the underside of your notebook. Please also keep the receipt of the computer you purchased.

Should your computer be stolen, however, we'll help you try to find it. Before contacting Toshiba, please prepare the following information which is necessary to uniquely identify your computer:

- In which country was your computer stolen?
- What type of machine do you have?
- What was the model number (PA number)?
- What was the serial number (8 digits)?
- When was it stolen, i.e. date?
- What was the warranty seal number (if available)?
- What is your address, phone, and fax number?

To register the theft, please follow these procedures:

- Fill in the Toshiba Theft Registration form (or a copy of it) below.
- Attach a copy of your receipt showing where your computer was purchased.
- Either fax or send the receipt and registration form to the address below.

Your registration will be entered in a database, which is used to track Toshiba computers at our service points around Europe.

Toshiba Theft Registration

Send to: Toshiba Europe GmbH
 Technical Service and Support
 Leibnizstr. 2
 93055 Regensburg
 Germany

Fax number: +49 (0) 941 7807 925

Country stolen:	
Machine type: (e.g. TOSHIBA TE2100)	
Model number: (e.g. PA1218E YXT)	
Serial number: (e.g. 70123456E)	
Date stolen:	
Warranty seal: (e.g. 9813 123456 049)	

Owner's details

Name:	
Company:	
Street:	
Postal Code/City:	
Country:	
Phone:	
Fax:	

Appendix G

ASCII Character Codes

This appendix shows the American Standard Code for Information Interchange (ASCII) on the following pages. The characters in the **IBM char** column appear on your display when you type the corresponding ASCII code (as described in Chapter 5, *The Keyboard*). The characters that are printed, however, depend on the software you are using. For most software, the printed output for decimal codes 32 to 128 will match your screen display.

Dec code	Hex code	IBM char	Sort seq	Ctrl char
000	00		000	NUL
001	01	☺	1	SOH
002	02	☹	2	STX
003	03	♥	3	ETX
004	04	♦	4	EOT
005	05	♣	5	ENQ
006	06	♠	6	ACK
007	07	•	7	BEL
008	08	■	8	BS
009	09	○	9	HT
010	0A	◻	10	LF
011	0B	♂	11	VT
012	0C	♀	12	FF
013	0D	♪	13	CR
014	0E	🎵	14	SO
015	0F	⚙	15	SI
016	10	▶	16	DLE
017	11	◀	17	DC1
018	12	↕	18	DC2
019	13	!!	19	DC3
020	14	¶	20	DC4
021	15	§	21	NAK
022	16	▬	22	SYN
023	17	↕	23	ETB
024	18	↑	24	CAN
025	19	↓	25	EM
026	1A	→	26	SUB
027	1B	←	27	ESC
028	1C	└	28	FS
029	1D	↔	29	GS
030	1E	▲	30	RS
031	1F	▼	31	US

Dec code	Hex code	IBM char	Sort seq
032	20	space	32
033	21	!	33
034	22	"	34
035	23	#	35
036	24	\$	36
037	25	%	37
038	26	&	38
039	27	'	39
040	28	(40
041	29)	41
042	2A	*	42
043	2B	+	43
044	2C	,	44
045	2D	-	45
046	2E	.	46
047	2F	/	47
048	30	0	48
049	31	1	49
050	32	2	50
051	33	3	51
052	34	4	52
053	35	5	53
054	36	6	54
055	37	7	55
056	38	8	56
057	39	9	57
058	3A	:	58
059	3B	;	59
060	3C	<	60
061	3D	=	61
062	3E	>	62
063	3F	?	63

Dec code	Hex code	IBM char	Sort seq
064	40	@	64
065	41	A	65
066	42	B	66
067	43	C	67
068	44	D	68
069	45	E	69
070	46	F	70
071	47	G	71
072	48	H	72
073	49	I	73
074	4A	J	74
075	4B	K	75
076	4C	L	76
077	4D	M	77
078	4E	N	78
079	4F	O	79
080	50	P	80
081	51	Q	81
082	52	R	82
083	53	S	83
084	54	T	84
085	55	U	85
086	56	V	86
087	57	W	87
088	58	X	88
089	59	Y	89
090	5A	Z	90
091	5B	[91
092	5C	\	92
093	5D]	93
094	5E	^	94
095	5F	_	95

Dec code	Hex code	IBM char	Sort seq	Dec code	Hex code	IBM char	Sort seq
096	60	'	96	128	80	Ç	67
097	61	a	97	129	81	ü	85
098	62	b	98	130	82	é	69
099	63	c	99	131	83	â	65
100	64	d	100	132	84	ä	65
101	65	e	101	133	85	à	65
102	66	f	102	134	86	â	65
103	67	g	103	135	87	ç	67
104	68	h	104	136	88	è	69
105	69	i	105	137	89	è	69
106	6A	j	106	138	8A	è	69
107	6B	k	107	139	8B	ï	73
108	6C	l	108	140	8C	î	73
109	6D	m	109	141	8D	ì	73
110	6E	n	110	142	8E	Ä	65
111	6F	o	111	143	8F	Å	65
112	70	p	112	144	90	É	69
113	71	q	113	145	91	æ	65
114	72	r	114	146	92	Æ	65
115	73	s	115	147	93	ô	79
116	74	t	116	148	94	ö	79
117	75	u	117	149	95	ò	79
118	76	v	118	150	96	û	85
119	77	w	119	151	97	ù	85
120	78	x	120	152	98	ÿ	89
121	79	y	121	153	99	Ö	79
122	7A	z	122	154	9A	Ü	85
123	7B	{	123	155	9B	ç	36
124	7C		124	156	9C	£	36
125	7D	}	125	157	9D	¥	36
126	7E	~	126	158	9E	Pt	36
127	7F	△	127	159	9F	f	36

Dec code	Hex code	IBM char	Sort seq	Dec code	Hex code	IBM char	Sort seq
160	A0	á	65	192	C0	┌	
161	A1	í	73	193	C1	└	
162	A2	ó	79	194	C2	┘	
163	A3	ú	85	195	C3	┐	
164	A4	ñ	78	196	C4	—	
165	A5	Ñ	78	197	C5	+	
166	A6	ā	166	198	C6	≡	
167	A7	ō	167	199	C7	≡	
168	A8	ı	63	200	C8	┌	
169	A9	┌	169	201	C9	┐	
170	AA	┐	170	202	CA	≡	
171	AB	½	171	203	CB	≡	
172	AC	¼	172	204	CC	≡	
173	AD	ı	33	205	CD	≡	
174	AE	«	34	206	CE	≡	
175	AF	»	34	207	CF	≡	
176	B0	⋮		208	D0	≡	
177	B1	⋮		209	D1	≡	
178	B2	⋮		210	D2	┘	
179	B3	┐		211	D3	┌	
180	B4	┘		212	D4	┐	
181	B5	≡		213	D5	┐	
182	B6	≡		214	D6	┐	
183	B7	┐		215	D7	≡	
184	B8	┐		216	D8	≡	
185	B9	≡		217	D9	┘	
186	BA	≡		218	DA	┐	
187	BB	┐		219	DB	■	
188	BC	┘		220	DC	■	
189	BD	┘		221	DD	■	
190	BE	┘		222	DE	■	
191	BF	┐		223	DF	■	

Dec code	Hex code	IBM char	Sort seq
224	E0	α	
225	E1	β	83
226	E2	Γ	
227	E3	Π	
228	E4	Σ	
229	E5	σ	
230	E6	μ	
231	E7	Υ	
232	E8	Φ	
233	E9	Θ	
234	EA	Ω	
235	EB	δ	
236	EC	φ	
237	ED	ϕ	
238	EE	E	
239	EF	Λ	
240	F0	Ξ	
241	F1	\pm	
242	F2	\geq	
243	F3	\leq	
244	F4	\int	
245	F5	J	
246	F6	+	
247	F7	\approx	
248	F8	\circ	
249	F9	■	
250	FA	■	
251	FB	$\sqrt{\quad}$	
252	FC	η	
253	FD	2	
254	FE	■	
255	FF		

Internal Modem Guide

This appendix describes how to install and the remove the internal modem.



Do not disassemble the computer beyond the steps described in this instruction or touch any components not specifically described.

Installing the modem board



The internal modem is preinstalled. The following is for information only.

To install the modem board, follow the steps below.

1. Save your data, quit Windows and turn off the power.
2. Disconnect the AC adaptor and any other peripheral devices.
3. Turn the computer upside down and remove the battery pack.
4. Remove one screw securing the modem cover and remove the cover.
5. Remove two screws, which you use later to secure the modem board.
6. Seat the modem board.
7. Connect the modem board cable.
8. Secure the modem board with two screws removed in step 5.
9. Seat the modem board cover and secure it with one screw.
10. Install the battery pack.

Removing the modem board

To remove the internal modem.

1. Save your data, quit Windows and turn off the power.
2. Disconnect the AC adaptor and any other peripheral devices.
3. Turn the computer upside down and remove the battery pack.
4. Remove one screw securing the modem cover and remove the cover.
5. Remove two screws securing the modem board.
6. Lift out the modem board.
7. Disconnect the modem board cable.
8. Secure the modem board with two screws removed in step 5.
9. Seat the modem board cover and secure it with one screw.
10. Install the battery pack.

Wireless LAN

This appendix describes Wireless LAN features and TOSHIBA Wireless LAN card specifications. For details on Wireless LAN settings, refer to the LAN Card Settings and Client Manager help file. These references have the latest information.

About TOSHIBA Wireless solution

The Wireless LAN card Kit enables you to:

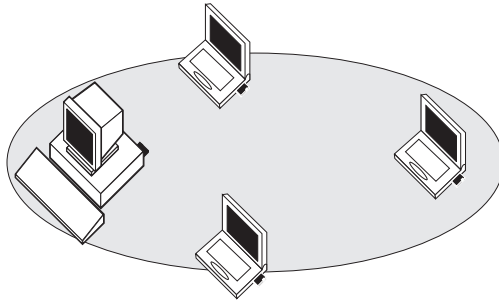
- Connect your computer to a peer-to-peer workgroup of Wireless computing devices.
- Connect your computer to a Local Area Network (LAN) Infrastructure that includes Wireless LAN Access Points, or other IEEE802.11 compliant LAN systems.
- Expand the capabilities of your Wireless LAN Access Points, to support Wireless devices that have been equipped with Wireless LAN card.



The internal Wireless LAN card can't be used with the TOSHIBA Wireless LAN PC card.

Peer-to-peer workgroup

The peer-to-peer workgroup configuration enables you to quickly set up a small Wireless workgroup, where the workgroup participants can exchange files using features such as *Files and Printer Sharing* as supported by Microsoft Networking.

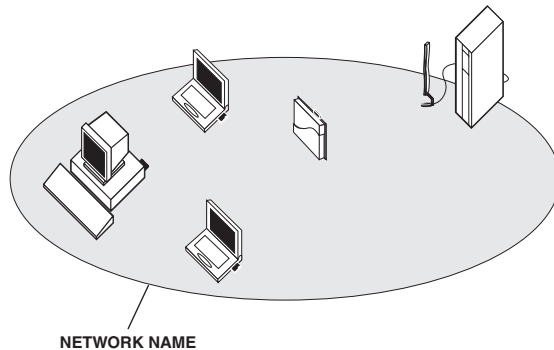


Peer-to-peer Wireless workgroup

You can use this option to set up a temporary or ad-hoc network in environment where no access points are available, for example in Small Office/Home Office (SOHO) environments.

As long as the stations are within range of one another, this is the easiest and least expensive way to set up a Wireless network.

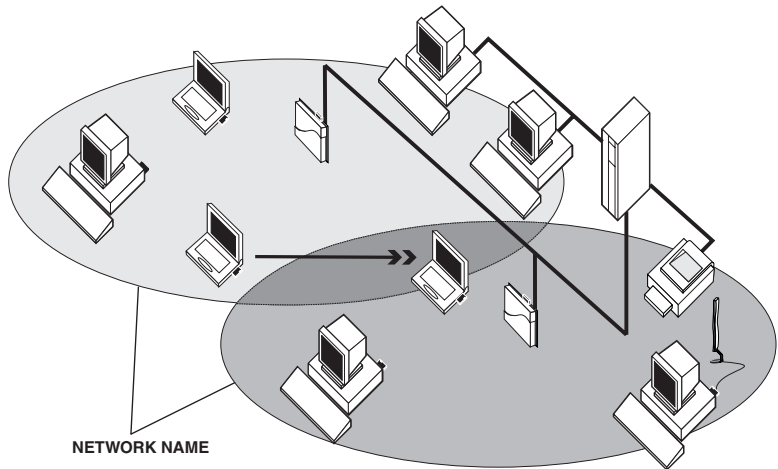
Enterprise networking



Stand-alone Wireless LAN

With the Wireless LAN Access Points you can connect to a corporate Local Area Network (LAN) infrastructure to have Wireless access to all network facilities. LAN Infrastructures may either be.

- Stand-alone Wireless LANs as pictured in figure above
- Wireless network infrastructures connected to an existing Ethernet network as pictured in figure below.



LAN Infrastructure

Easy configuration

The Wireless LAN card functions like any standard wired Ethernet card except it gives you the freedom of Wireless connections.

Where an Ethernet card requires a cable connection to a hub and/or patch panel, the cable physically limits the location of the wired connection.

Expanding or re-designing your network is easy. A Wireless LAN allows you connect your computer to a Local Area Network (LAN) from anywhere within the Wireless coverage area.



The Wireless LAN card is a radio product. Refer to the flyer Information to the User for regulatory information that may apply in your country.

Wireless LAN card features

The TOSHIBA Wireless LAN mini-PCI card is a Wireless network card that fits into a mini-PCI Type IIIA slot.

Wireless LAN card types

The Wireless LAN card is a Wireless network card that complies with the IEEE 802.11 standard on Wireless LANs (Revision B). The Wireless LAN card supports data rates up to 11 Mbit/s.



- Wi-Fi (Wireless Fidelity) certified by the Wireless Ethernet Compatibility Alliance (WECA). This means that your Wireless hardware will communicate with other vendors' IEEE 802.11 compliant Wireless LAN products.
- Fully compatible with any other Wireless LAN system based on Direct Sequence Spread Spectrum (DSSS) radio technology that complies with the IEEE 802.11 standard on Wireless LANs (Revision B).

Wireless LAN cards

The Wireless LAN card supports the following Wireless LAN features:

- Automatic Transmit Rate Select mechanism in the transmit range of 11, 5.5, 2 and 1 Mbit/s.
- Frequency Channel Selection (2.4 GHz).
- Roaming over multiple channels.
- Card Power Management.
- Wired Equivalent Privacy (WEP) data encryption, based on the 128 bit RC4 encryption algorithm.

Card specifications

Physical specifications

Form Factor	Mini-PCI TypelllA	
Dimensions		
Weight		
Temperature and Humidity		
Operation	0 to 55 C	Maximum humidity 95%
Transit	-20 to 70 C	15 to 95% (no condensation)
Storage	-10 to 60 C	10 to 90% (no condensation)

Although the card may still operate in the range of -20 to 70 C, operation outside the range of 0 to 55 C may no longer be according to specifications.

Power Characteristic

Doze Mode	45mA
Receive Mode	250mA
Transmit Mode	350mA
Power Supply	3.3V

Networking Characteristics

Compatibility	IEEE 802.11 Standard for Wireless LANS (DSSS) Wi-Fi (Wireless Fidelity) certified by the Wireless Ethernet Compatibility Alliance (WECA)
Network Operating System	Microsoft Windows® Networking
Host Operating System	Microsoft Windows® 2000: ■ NDIS5 Miniport Driver Microsoft Windows® XP: ■ NDIS5.1 Miniport Driver
Media Access Protocol	CSMA/CA (Collision Avoidance) with Acknowledgement (ACK)
Data Rate	<ul style="list-style-type: none"> ■ High 11 Mb/s ■ Medium 5.5 Mb/s ■ Standard 2 Mb/s ■ Low 1 Mb/s <p>The cards use an automatic Transmit Rate Select mechanism.</p>

Radio characteristics

Radio characteristics of Wireless LAN cards may vary according to:

- Country/region where the product was purchased
- Type of product

Wireless communication is often subject to local radio regulations. Although Wireless LAN networking products have been designed for operation in the license-free 2.4 GHz band, local radio regulations may impose limitations on the use of Wireless communication equipment.



Refer to the flyer Information to the User for regulatory information that may apply in your country/region.

R-F Frequency Band 2.4GHz (2400-2483.5 MHz)

Modulation Technique Direct Sequence Spread Spectrum

- CCK for High & Medium Transmit Rate
- DQPSK for Standard Transmit Rate
- DBPSK for Low Transmit Rate

Spreading 11-chip Barker Sequence

Bit Error Rate (BER) Better than 10^{-5}

Nominal Output Power 15 dBm

	High Speed	Medium Speed	Standard Speed	Low Speed
Transmit Rate	11 Mb/s	5.5 Mb/s	2 Mb/s	1Mb/s
Receiver Sensitivity	-83 dBm	-87 dBm	-91 dBm	-94 dBm
Delay Spread (at FER of <1%)	65 ns	225 ns	400 ns	500 ns

The range of the Wireless signal is related to the Transmit Rate of the Wireless communication. Communications at lower Transmit range may travel longer distances.



The range values listed in the table above are typical distances as measured at the Toshiba Wireless LAN laboratories. These values provide rule-of-thumb guides. They may vary according to the actual radio conditions at the location where the Wireless LAN product is installed.

- The range of your Wireless devices can be affected when the antennas are placed near metal surfaces and solid high-density materials.
- Range is also affected by obstacles in the signal path of the radio that may either absorb or reflect the radio signal.

The above table lists the typical ranges when used indoors in office environments such as the following:

- In **Open Office environments**, where antennas can see each other, i.e. there are no physical obstructions between them.
- In **Semi-open Office environments**, where work space is divided by shoulder-height, hollow wall elements; antennas are at desktop level.
- In **Closed Office environments**, work space is separated by floor-to-ceiling solid walls.

Supported frequency sub-bands

Subject to the radio regulations that apply in your country/region, your Wireless LAN card may support a different set of 2.4 GHz channels (see following table).

Consult your Authorised Wireless LAN or TOSHIBA Sales office for information about the radio regulations that apply in your country/region.

Wireless IEEE 802.11 Channels Sets

Frequency Range	2400-2483.5 MHz
Channel ID	
1	2412
2	2417
3	2422
4	2427
5	2432
6	2437
7	2442
8	2447
9	2452
10	2457*
11	2462

* Factory-set default channels

When installing Wireless LAN cards, the channel configuration is managed as follows:

- For Wireless clients that operate in a Wireless LAN Infrastructure, the Wireless LAN card will automatically start operation at the channel identified by the Wireless LAN Access Point. When roaming between different access points the station can dynamically switch to another channel if required.
- For Wireless LAN cards installed in Wireless clients operating in a peer-to-peer mode, the card will use the default channel 10.
- In a Wireless LAN Access Point, the Wireless LAN card will use the factory-set default channel (printed in bold), unless the LAN Administrator selected a different channel when configuring the Wireless LAN Access Point device.

AT Commands

In most cases, you will not need to type AT commands manually. However, there might be some occasions when you will need to do so. This chapter describes AT commands for data mode. Fax and voice commands are taken care of by application software.

The format for entering AT commands is:

ATXn

where **X** is the AT command, and **n** is the specific value for that command. After you type in the command press **Enter**.

Any command issued is acknowledged with a response in either text or numeric values known as result codes.

All commands and command-values accepted by the modem are described in this section; any entry other than those listed results in an error.

+++ Escape sequence

The escape sequence allows the modem to exit data mode and enter on-line command mode. While in on-line command mode, you can communicate directly to your modem using AT commands. Once you finish, you can return to data mode using the ATO command.

A pause, the length of which is set by Escape Guard Time (S12), must be completed after an escape sequence is entered. This pause prevents the modem from interpreting the escape sequence as data.

The value of the escape sequence character may be changed using register S2.

A/ Repeat last command

This command repeats the last command string entered. Do not precede this command with an AT prefix or conclude it by pressing **Enter**.

A Answer command

This command instructs the modem to go off-hook and answer an incoming call.



Refer to the section Country select command and S-register in Appendix I for country-specific codes.

Bn Communication standard setting

This command determines the communication standard CCITT or Bell.

B0 Selects CCITT V.22 mode when the modem is at 1200 bps.

B1 Selects Bell 212A when the modem is at 1200 bps (default).

B15 Selects V.21 when the modem is at 300 bps.

B16 Selects Bell 103J when the modem is at 300 bps (default).

Result Codes:

OK n=0,1,15,16

ERROR Otherwise

Dn Dial

This command instructs the modem to dial a telephone number. Enter **n** (the telephone number and any modifiers) after the ATD command.

Any digit or symbol (0-9, *, #, A, B, C, D) may be dialed as touch-tone digits. Characters such as spaces, hyphens, and parentheses do not count. They are ignored by the modem, but you may want to include them to make the number and modifiers easier to read.

The following may be used as phone number modifiers:

P	Pulse dialling.
T	Touch-tone dialling (default).
,	Pause during dialling. Pause for time specified in Register S8 before processing the next character in the dial string.
W	Wait for dial tone. Modem waits for a second dial tone before processing the dial string.
@	Wait for quiet answer. Wait for five seconds of silence after dialling the number. If silence is not detected, the modem sends a NO ANSWER result code back to the caller.
!	Hook flash. Causes the modem to go on-hook for 0.5 seconds and then return to off-hook.
;	Return to command mode. Causes the modem to return to command mode after dialling a number, without disconnecting the call.
S=n	Dial a telephone number previously stored using the &Zn=X command (See &Zn=X command for more information). The range is 0-3.



Refer to the section Country select command and S-register in Appendix I for country-specific codes.

En Echo command

This command controls whether or not the characters entered from your computer keyboard are displayed on your monitor (echoed) while the modem is in command mode.

E0	Disables echo to the computer.
E1	Enables echo to the computer (default).

Result Codes:

OK	n=0,1
ERROR	Otherwise

Hn Hook control

This command instructs the modem to go on-hook to disconnect a call, or off-hook to make the phone line busy.

H0 Modem goes on-hook (default).

H1 Modem goes off-hook.

Result Codes:

OK n=0,1

ERROR Otherwise

In Request ID information

This command displays product information about the modem.

I0 Returns device information.

I1 Calculates ROM checksum and displays it on the DTE.

I2 Performs a ROM check and calculates and verifies the checksum displaying **OK** or **ERROR**.

I3 Same as I0.

I4 Returns firmware version for data pump.

I9 Returns country code.

Result Codes:

OK n=0,1,2,3,4,9

Ln Monitor speaker volume

This command sets speaker volume to low, medium, or high.

L0 Low volume.

L1 Low volume. (Same as L0)

L2 Medium volume (default).

L3 High volume.

Result Codes:

OK n=0,1,2,3

ERROR Otherwise

Mn Monitor speaker mode

This command turns the speaker on or off.

M0 The speaker is off.

M1 The speaker is on until the modem detects the carrier signal (default).

M2 The speaker is always on when modem is off-hook.

Result Codes:

OK n=0,1,2

ERROR Otherwise

Nn Modulation handshake

This command controls whether or not the local modem performs a negotiated handshake at connection time with the remote modem when the communication speed of the two modems is different.

- N0** When originating or answering, this is for handshake only at the communication standard specified by S37 and the ATB command.
- N1** When originating or answering, begin the handshake at the communication standard specified by S37 and the ATB command (default).
During handshake, a lower transmission speed may be selected.

Result Codes:

- OK** n=0,1
ERROR Otherwise

On Return on-line to data mode

- O0** Instructs the modem to exit on-line command mode and return to data mode (see AT escape sequence, +++).
- O1** This command issues a retrain before returning to on-line data mode.
- O3** This command issues a rate renegotiation before returning to on-line data mode.

Result Codes:

- OK** n=0,1,3
ERROR Otherwise

P Select pulse dialling

This command configures the modem for pulse (non touch-tone) dialling. Dialed digits are pulsed until a T command or dial modifier is received. Tone dial is the default setting.



Refer to table J-1 for country-specific codes.

Qn Result code control

Result codes are informational messages sent from the modem and displayed on your monitor. Basic result codes are OK, CONNECT, RING, NO CARRIER, and ERROR. The ATQ command allows the user to turn result codes on or off.

Q0 Enables modem to send result codes to the computer (default).

Q1 Disables modem from sending result codes to the computer.

Result Codes:

OK n=0,1

ERROR Otherwise

T Select tone dialling

This command instructs the modem to send DTMF tones while dialling. Dialed digits are tone dialled until a P command or dial modifier is received. This is the default setting.

Vn DCE response format

This command controls whether result codes (including call progress and negotiation progress messages) are displayed as words or their numeric equivalents.

V0 Displays result codes as digits.

V1 Displays result codes as text (default).

Result Codes:

OK n=0,1

ERROR Otherwise

Xn Result code selection, call progress monitoring

This command sets detection options for dial tones and busy signals, which is its primary function. It also, however, enables or disables extended result codes.



Refer to table J-1 for country-specific codes.

Command	Extended result code	Dial tone detect	Busy signal detect
X0	Disable	Disable	Disable
X1	Enable	Disable	Disable
X2	Enable	Enable	Disable
X3	Enable	Disable	Enable
X4 (default)	Enable	Enable	Enable
X5	Enable	Enable	Enable
X6	Enable	Enable	Enable
X7	Disable	Enable	Enable

Extended result codes

- Disabled: Displays only the basic result codes **OK**, **CONNECT**, **RING**, **NO CARRIER**, and **ERROR**.
- Enabled: Displays basic result codes, along with the connect message and the modem's data rate, and an indication of the modem's error correction and data compression operation.

Dial tone detect

- Disabled: The modem dials a call regardless of whether it detects a dial tone. The period of time the modem waits before dialling is specified in register S6.
- Enabled: The modem dials only upon detection of a dial tone, and disconnects the call if the dial tone is not detected within 10 seconds.

Busy tone detect

Disabled: The modem ignores any busy tones it receives.

Enabled: The modem monitors for busy tones.

Result Codes:

OK n=0,1,2,3,4,5,6,7

ERROR Otherwise

Zn Recall stored profile

The modem performs a soft reset and restores (recalls) the configuration profile according to the parameter supplied. If no parameter is specified, zero is assumed. Either Z0 or Z1 restores the profile.

Result Codes:

OK n=0,1

ERROR Otherwise

&Cn Data Carrier Detect (DCD) control

Data Carrier Detect is a signal from the modem to the computer indicating that a carrier signal is being received from a remote modem. DCD normally turns off when the modem no longer detects the carrier signal.

&C0 The state of the carrier from the remote modem is ignored. DCD circuit is always on.

&C1 DCD turns on when the remote modem's carrier signal is detected, and off when the carrier signal is not detected (default).

Result Codes:

OK n=0,1

ERROR Otherwise

&Dn DTR control

This command interprets how the modem responds to the state of the DTR signal and changes to the DTR signal.

&D0 Ignore. The modem ignores the true status of DTR and treats it as always on. This should only be used if your communication software does not provide DTR to the modem

&D1 If the DTR signal is not detected while in on-line data mode, the modem enters command mode, issues an OK result code, and remains connected.

&D2 If the DTR signal is not detected while in on-line data mode, the modem disconnects (default).

&D3 Reset on the on-to-off DTR transition.

Result Codes:

OK n=0,1,2,3

ERROR Otherwise

&F Load factory settings

This command loads the configuration stored and programmed at the factory. This operation replaces all of the command options and the S-register settings in the active configuration with factory values.

&F Recall factory setting as active configuration.

&Gn V.22bis guard tone control

This command determines which guard tone, if any, to transmit while transmitting in the high band (answer mode). This command is only used in V.22 and V.22bis mode. This option is not used in North America and is for international use only.

&G0 Guard tone disabled (default).

&G1 Sets guard tone to 550 Hz.

&G2 Sets guard tone to 1800 Hz.

Result Codes:

OK n=0,1,2

ERROR Otherwise

&Kn Local flow control selection

- &K0** Disables flow control.
 - &K3** Enables CTS/RTS flow control (default).
 - &K4** Enables XON/XOFF flow control.
- Result Codes:
- OK** n=0,3,4
 - ERROR** Otherwise

&Pn Select Pulse Dial Make/Break Ratio (WW)

- &P0** Selects 39% - 61% make/break ratio at 10 pulses per second.
 - &P1** Selects 33% - 67% make/break ratio at 10 pulses per second.
 - &P2** Selects 39% - 61% make/break ratio at 20 pulses per second.
- Result Codes:
- OK** n=0 to 2
 - ERROR** Otherwise

&Tn Self-test commands

These tests can help to isolate problems if you experience periodic data loss or random errors.

- &T0** Abort. Stops any test in progress.
- &T1** Local analogue loop. This test verifies modem operation, as well as the connection between the modem and computer. Any data entered at the local DTE is modulated, then demodulated, and returned to the local DTE. To work properly, the modem must be off-line.

- Result Codes:
- OK** n=0
 - CONNECT** n=1
 - ERROR** Otherwise

&V View active configuration and stored profile

This command is used to display the active profiles on your computer's monitor.

&V View active file

For example:

Option	Selection	AT Command
Comm Standard	Bell	B
Command Char Echo	Enable	E
Speaker Volume	Medium	L
Speaker Control	OnUntilCarr	M
Result Codes	Enable	Q
Dialler Type	Tone	T/P
Result Code Form	Text	V
Extend Result Code	Enable	X
Dial Tone Detect	Enable	X
Busy Tone Detect	Enable	X
LSD Action	Standard RS-232C	&C
DTR Action	Ignore	&D
Press any key to continue; Esc to quit.		
V.22b Guard Tone	Disable	&G
Flow Control	Hardware	&K
Error Control Mode	V.42, MNP, Buffer	\N
Data Compression	Enable	%C
Auto AnswerRing#	0	S0
AT Escape Char	43	S2
CarriageRtn Char	13	S3
Linefeed Char	10	S4
Backspace Char	8	S5

Option	Selection	AT Command
Blind Dial Pause	2 sec.	S6
No Answer Timeout	50 sec.	S7
“, ” Pause Time	2 sec.	S8
Press any key to continue: Esc to quit.		
No Carrier Disc	2000 msec.	S10
DTMF Dial Speed	95 msec.	S11
Escape GuardTime	1000 msec.	S12
Data Calling Tone	Disabled	S35
Line Rate	33600	S37
DSVD mode	Disabled	-SSE
Press any key to continue: Esc to quit.		
Stored phone numbers		
&Z0=		
&Z1=		
&Z2=		
&Z3=		
OK		

&W Store current configuration

Saves the current (active) configuration (profile), including S-Registers.

The current configuration comprises a list of storable parameters illustrated in the **&V** command. These settings are restored to the active configuration upon receiving a **Zn** command or at power up. Refer to the **&V** command.

&W Stores the current configuration.

&Zn=x Store telephone number

This command is used to store up to four dialling strings in the modem's nonvolatile memory for later dialling. The format for the command is **&Zn**="stored number" where n is the location 0-3 to which the number should be written. The dial string may contain up to 40 characters. The **ATDS=n** command dials using the string stored in location n.

Result codes:

OK n=0,1,2,3

ERROR Otherwise

\Nn Error control mode selection

This command determines the type of error control used by the modem when sending or receiving data.

\N0 Buffer mode. No error control.

\N1 Same as **\N0**.

\N2 MNP or disconnect mode. The modem attempts to connect using MNP2-4 error control procedures. If this fails, the modem disconnects.

This is also known as MNP reliable mode.

\N3 V.42, MNP, or buffer (default).

The modem attempts to connect in V.42 error control mode. If this fails, the modem attempts to connect in MNP mode. If this fails, the modem connects in buffer mode and continues operation. This is also known as V.42/MNP auto reliable mode.

\N4 V.42 or disconnect. The modem attempts to connect in V.42 error control mode. If this fails, the call will be disconnected.

\N5 V.42, MNP or Buffer (same as **\N3**).

\N7 V.42, MNP or Buffer (same as **\N3**).

Result Codes:

OK n=0,1,2,3,4,5,7

ERROR Otherwise

\Qn Local flow control selection

- \Q0** Disable flow control.
 - \Q1** XON/XOFF software flow control.
 - \Q3** CTS/RTS to DTE (default).
- Result Codes:
- OK** n=0,1,3
 - ERROR** Otherwise

\Vn Protocol result code

- \V0** Disable protocol result code appended to DCE speed.
 - \V1** Enable protocol result code appended to DCE speed (default).
- Result Codes:
- OK** n=0,1
 - ERROR** Otherwise

%B View numbers in blacklist

This command displays the phone numbers for which connections have failed. If you are using the modem in a country that does not require blacklisting, an error code results when you execute this command.



Refer to table J-1 for country-specific codes.

%Cn Data compression control

This command determines the operation of V.42bis and MNP class 5 data compression. On-line changes do not take effect until a disconnect occurs first.

- %C0** V.42bis/MNP 5 disabled. No data compression.
- %C1** V.42bis/MNP 5 enabled. Data compression enabled (default).

- Result Codes:
- OK** n=0,1
 - ERROR** Otherwise

Table J-1: AT commands that vary according to country regulations

	ATA	ATDP/ATP/ &P (10PPS)	AT%B	ATS0
Australia	Normal	Enable	Disable	0 to 255
Austria	If S1 is not 0, then active	Enable	Enable	0 and 2 to 6
Belgium	Normal	Enable	Enable	0 and 2 to 6
Denmark	Normal	Disable	Disable	0 and 2 to 6
Finland	Normal	Enable	Disable	0 and 2 to 6
France	If S1 is not 0, then active	Enable	Enable	0 and 2 to 6
Germany	If S1 is not 0, then active	Enable	Enable	0 and 2 to 6
Italy	If S1 is not 0, then active	Enable	Enable	0 and 2 to 6
Netherlands	Normal	Enable	Enable	0 and 2 to 6
New Zealand	Normal	Enable	Disable	0 to 255
Norway	Normal	Enable	Enable	0 and 2 to 6
Portugal	Normal	Enable	Disable	0 and 2 to 6
Spain	Normal	Enable	Enable	0 to 255
Sweden	Normal	Disable	Disable	0 to 255
Switzerland	Normal	Enable	Disable	0 and 2 to 6
U.K.	Normal	Enable	Disable	0 to 255

Table J-1: AT commands that vary according to country regulations

	ATS11	AT&P (20PPS)	ATS6	ATS8	ATS91	ATX
Australia	Fixed (85)	Disable	12	4	10	Normal
Austria	Fixed (85)	Disable	4	4	10	Normal
Belgium	Fixed (85)	Disable	12	4	10	Always dial tone detect
Denmark	Fixed (85)	Disable	4	4	10	Always dial tone detect
Finland	Fixed (85)	Disable	4	4	10	Always dial tone detect
France	Fixed (85)	Disable	12	4	10	Normal
Germany	Fixed (85)	Disable	4	4	10	Normal
Italy	Fixed (85)	Disable	4	4	10	Normal
Netherlands	Fixed (85)	Disable	4	4	10	Always dial tone detect
New Zealand	Fixed (85)	Disable	4	4	10	Normal
Norway	Fixed (85)	Disable	4	4	10	Normal
Portugal	Fixed (150)	Disable	4	4	10	Always dial tone detect
Spain	Fixed (150)	Disable	4	4	10	Normal
Sweden	Fixed (85)	Disable	4	4	10	Normal
Switzerland	Fixed (85)	Disable	4	4	10	Normal
U.K.	Fixed (85)	Disable	4	4	10	Normal

S-registers

S-registers contain the settings that determine how a number of functions of the internal modem operate. For example, how many times to let the telephone ring before the modem answers and how long to wait before it hangs up if a connection fails. You can also customise certain AT commands such as the escape sequence and command line termination.

The contents of the registers are changed automatically when you modify corresponding settings in your communication software. If you choose, however, you can display and edit the contents of the registers manually when the modem is in command mode. If the value is out of the acceptable range, then an error is generated.

This chapter describes the settings for each S-register.

S-register values

The format for displaying the value of an S-register is:

ATSn?

where **n** is the register number. After you type in the register press **Enter**.

The format for modifying the value of an S-register is:

ATSn=r

where **n** is the register number, and **r** is the new register value. After you type in the register and its new value press **Enter**.

S0 Auto answer ring number

This register determines the number of rings the modem will count before automatically answering a call. Enter 0 (zero) if you do not want the modem to automatically answer at all. When disabled, the modem can only answer with an ATA command.

Range: (0-255) or (0 or 2 to 6) depending on the country

Default: 0

Units: rings

S1 Ring counter

This register is read only. The value of S1 is incremented with each ring. If no ring occurs over a six-second interval, this register is cleared.

Range: 0-225

Default: 0

Units: rings

S2 AT escape character (user defined)

This register determines the ASCII values used for an escape sequence. The default is the + character. The escape sequence allows the modem to exit data mode and enter command mode when on-line. Values greater than 127 disable the escape sequence.

Range: 0-255

Default: 43

Units: ASCII

S3 Command line termination character

This register determines the ASCII values as the carriage return character. This character is used to end command lines and result codes.

Range: 0-127, ASCII decimal

Default: 13 (carriage return)

Units: ASCII

S4 Response formatting character (user defined)

This register determines the ASCII value used as the line feed character. The modem uses a line feed character in command mode when it responds to the computer.

Range: 0-127, ASCII decimal

Default: 10 (line feed)

Units: ASCII

S5 Command line editing character (user defined)

This register sets the character recognised as a backspace and pertains to asynchronous only. The modem will not recognise the backspace character if it is set to a value that is greater than 32 ASCII. This character can be used to edit a command line. When the echo command is enabled, the modem echoes back to the local DTE the backspace character, an ASCII space character, and a second backspace character. This means a total of three characters are transmitted each time the modem processes the backspace character.

Range: 0-127, ASCII decimal

Default: 8 (backspace)

Units: ASCII

S6 Wait before dialling

This register sets the length of time, in seconds, that the modem must wait (pause) after going off-hook before dialling the first digit of the telephone number. The modem always pauses for a minimum of two seconds, even if the value of S6 is less than two seconds. The wait for dial tone call progress feature (W dial modifier in the dial string) will override the value in register S6. This operation, however, may be affected by some ATX options according to country restrictions. In some countries, S6 will set dial tone detect time.

Range: 2-65

Default: 4 or 12

Units: seconds

S7 Connection completion time-out

This register sets the time, in seconds, that the modem must wait before hanging up because carrier is not detected. The timer is started when the modem finishes dialling (originate), or goes off-hook (answer). In originate mode, the timer is reset upon detection of an answer tone if allowed by county restriction. The timer also specifies the wait for silence time for the @ dial modifier in seconds. S7 is not associated with the W dial modifier.

Range: 1-255

Default: 50

Units: seconds

S8 Comma pause time

This register sets the time, in seconds, that the modem must pause when it encounters a comma (,) in the dial command string. In some countries, S8 will set both wait before dialling and comma pause time.

Range: 0-65

Default: 4

Units: seconds

S10 Automatic disconnect delay

This register sets the length of time, in tenths of a second, that the modem waits before hanging up after a loss of carrier. This allows for temporary carrier loss without causing the local modem to disconnect.

The actual interval the modem waits before disconnection is the value in register S10.

Range: 1-254

Default: 20

Units: .1 seconds

S11 DTMF dialling speed

This register determines the dialling speed which is prefixed for each country.

Range: 50-150

Default: 85 or 150

Units: .001 seconds

S12 Escape guard time

This register sets the value (in 20 ms increments) for the required pause after the escape sequence (default 1 s).

Range: 0-255

Default: 50

Units: .02 seconds

S37 Dial line rate

S37 = 0 (default)	maximum modem speed
S37 = 1	reserved
S37 = 2	1200/75 bps
S37 = 3	300 bps
S37 = 4	reserved
S37 = 5	1200 bps
S37 = 6	2400 bps
S37 = 7	4800 bps
S37 = 8	7200 bps
S37 = 9	9600 bps
S37 = 10	12000 bps
S37 = 11	14400 bps
S37 = 12	16800 bps
S37 = 13	19200 bps
S37 = 14	21600 bps
S37 = 15	24000 bps
S37 = 16	26400 bps
S37 = 17	28800 bps
S37 = 18	31200 bps
S37 = 19	33600 bps

AT command set result codes

The following table shows the result codes.

The result code summary

Result Code	Numeric	Description
OK	0	Command executed
CONNECT	1	Modem connected to line
RING	2	A ring signal has been detected
NO CARRIER	3	Modem lost carrier signal, or does not detect carrier signal, or does not detect answer tone
ERROR	4	Invalid command
CONNECT 1200 EC*1	5	Connection at 1200 bps
NO DIAL TONE	6	No dial tone detected
BUSY	7	Busy signal detected
NO ANSWER	8	No quiet answer
CONNECT 2400 EC ^{†1}	10	Connection at 2400 bps
CONNECT 4800 EC ^{†1}	11	Connection at 4800 bps
CONNECT 9600 EC ^{†1}	12	Connection at 9600 bps
CONNECT 14400 EC ^{†1}	13	Connection at 14400 bps
CONNECT 19200 EC ^{†1}	14	Connection at 19200 bps
CONNECT 7200 EC ^{†1}	24	Connection at 7200 bps
CONNECT 12000 EC ^{†1}	25	Connection at 12000 bps
CONNECT 16800 EC ^{†1}	86	Connection at 16800 bps
CONNECT 300 EC ^{†1}	40	Connection at 300 bps
CONNECT 21600 EC ^{†1}	55	Connection at 21600 bps
CONNECT 24000 EC ^{†1}	56	Connection at 24000 bps
CONNECT 26400 EC ^{†1}	57	Connection at 26400 bps
CONNECT 28800 EC ^{†1}	58	Connection at 28800 bps
CONNECT 31200 EC ^{†1}	59	Connection at 31200 bps
CONNECT 33600 EC ^{†1}	60	Connection at 33600 bps

Result Code	Numeric	Description
DELAYED ^{*2}	88	Delay is in effect for the dialled number
BLACKLISTED ^{*2}	89	Dialled number is blacklisted
BLACKLIST FULL ^{*2}	90	Blacklist is full

**1: EC only appears when the Extended Result Codes configuration option is enabled. EC is replaced by one of the following symbols, depending upon the error control method used:*

V.42bis - V.42 error control and V.42bis data compression.

V.42 - V.42 error control only.

MNP 5 - MNP class 4 error control and MNP class 5 data compression.

MNP 4 - MNP class 4 error control only.

NoEC - No error control protocol.

**2: In some countries, these result codes may not appear.*

Appendix L

V.90

The Toshiba internal modem uses V.90 technology. The modem is capable of downstream speeds of 56Kbps (kilobits per second) when connected to an Internet service provider that supports V.90. As with any modem, the actual throughput (speed of data transfer) depends on analogue telephone line conditions, which can vary considerably. Therefore, many users will experience throughput in the range of 32-44Kbps under normal telephone line conditions. Upstream data flows at the V.34 rate.



V.90 rates can be achieved only when one V.90 capable modem is connected to another. The Toshiba Internal modem will select automatically V.34 if the remote modem lacks V.90 capability or if a combination of network and/or phone line conditions prevent V.90 connection.

V.90 mode

Function	Transmission speed
Data V.90	From 56K (maximum) to 28Kbps (minimum) Reception only

Result codes for a V.90 connection

No.	Result code	Description
70	CONNECT 32000 EC*	Connection at 32000 bits/s
72	CONNECT 36000 EC*	Connection at 36000 bits/s
74	CONNECT 40000 EC*	Connection at 40000 bits/s
76	CONNECT 44000 EC*	Connection at 44000 bits/s
78	CONNECT 48000 EC*	Connection at 48000 bits/s
80	CONNECT 52000 EC*	Connection at 52000 bits/s
82	CONNECT 56000 EC*	Connection at 56000 bits/s
100	CONNECT 28000 EC*	Connection at 28000 bits/s
101	CONNECT 29333 EC*	Connection at 29333 bits/s
102	CONNECT 30666 EC*	Connection at 30666 bits/s
103	CONNECT 33333 EC*	Connection at 33333 bits/s
104	CONNECT 34666 EC*	Connection at 34666 bits/s
105	CONNECT 37333 EC*	Connection at 37333 bits/s
106	CONNECT 38666 EC*	Connection at 38666 bits/s
107	CONNECT 41333 EC*	Connection at 41333 bits/s
108	CONNECT 42666 EC*	Connection at 42666 bits/s
109	CONNECT 45333 EC*	Connection at 45333 bits/s
110	CONNECT 46666 EC*	Connection at 46666 bits/s
111	CONNECT 49333 EC*	Connection at 49333 bits/s
112	CONNECT 50666 EC*	Connection at 50666 bits/s
113	CONNECT 53333 EC*	Connection at 53333 bits/s
114	CONNECT 54666 EC*	Connection at 54666 bits/s

*EC stands for the Error Control method, which appears only when the extended result codes configuration option is enabled. EC is replaced by one of the following symbols, depending on the error control method used.

V42bis	V.42 error control and V.42bis data compression
V42	V.42 error control only
NoEC	No error control protocol

AT Command

-V90=*	V.90 Dial Line Rate -V90 sets the maximum V.90 downstream that the modem attempts to connect.
-V90=0	V.90 disabled
-V90=1	V.90 enabled: automatic speed selection - maximum modem speed (default)

Glossary

The terms in this glossary cover the topics discussed in this manual. Alternate naming is included for reference.

A

AccuPoint II: A pointing device integrated into the TOSHIBA computer keyboard.

adaptor: A device that provides an interface between two dissimilar electronic devices. For example, the AC adaptor modifies the power from a wall outlet for use by the computer. This term also refers to the add-in circuit cards that control external devices, such as video monitors and magnetic tape devices.

allocate: To assign a space or function for a specific task.

alphanumeric: Keyboard characters including letters, numbers and other symbols, such as punctuation marks or mathematical symbols.

alternating current (AC): Electric current that reverses its direction of flow at regular intervals.

analog signal: A signal whose characteristics such as amplitude and frequency vary in proportion to (are an analog of) the value to be transmitted. Voice communications are analog signals.

ANSI: American National Standards Institute. An organisation established to adopt and define standards for a variety of technical disciplines. For example, ANSI defined the ASCII standard and other information processing requirements.

antistatic: A material used to prevent the buildup of static electricity.

application: A group of programs that together are used for a specific task such as accounting, financial planning, spreadsheets, word processing, and games, etc.

ASCII: American Standard Code for Information Interchange. ASCII code is a set of 256 binary codes that represent the most commonly used letters, numbers, and symbols.

async: Short for asynchronous.

asynchronous: Lacking regular time relationship. As applied to computer communications, asynchronous refers to the method of transmitting data that does not require a steady stream of bits to be transmitted at regular time intervals.

AUTOEXEC.BAT: A batch file that executes a series of MS-DOS commands and programs each time you start the computer.

B

backup: A duplicate copy of files kept as a spare in case the original is destroyed.

batch file: A file that can be executed from the system prompt containing a sequence of operating system commands or executable files. See also AUTOEXEC.BAT.

binary: The base two number system composed of zeros and ones (off or on), used by most digital computers. The right most digit of a binary number has a value of 1, the next a value of 2, then 4, 8, 16, and so on. For example, the binary number 101 has a value of 5. See also ASCII.

BIOS: Basic Input Output System. The firmware that controls data flow within the computer. See also firmware.

bit: Derived from "binary digit," the basic unit of information used by the computer. It is either zero or one. Eight bits is one byte. See also byte.

board: A circuit board. An internal card containing electronic components, called chips, which perform a specific function or increase the capabilities of the system.

boot: Short for bootstrap. A program that starts or restarts the computer. The program reads instructions from a storage device into the computer's memory.

bps: Bits per second. Typically used to describe the data transmission speed of a modem.

buffer: The portion of the computer's memory where data is temporarily stored. Buffers often compensate for differences in the rate of flow from one device to another.

bus: An interface for transmission of signals, data or electric power.

byte: The representation of a single character. A sequence of eight bits treated as a single unit; also the smallest addressable unit within the system.

C

cache memory: High speed memory which stores data that increases processor speed and data transfer rate. When the CPU reads data from main memory, it stores a copy of this data in cache memory. The next time the CPU needs that same data, it looks for it in the cache memory rather than the main memory, which saves time. The computer has two cache levels. Level one is incorporated into the processor and level two resides in external memory.

card: Synonym for board. See board.

CardBus: An industry standard bus for 32-bit PC Cards.

capacity: The amount of data that can be stored on a magnetic storage device such as a diskette (floppy disk) or hard disk. It is usually described in terms of kilobytes (KB), where one KB = 1024 bytes and megabytes (MB), where one MB = 1024 KB.

CD-ROM: A Compact Disk-Read Only Memory is a high capacity disk that can be read from but not written to. The CD-ROM drive uses a laser, rather than magnetic heads, to read data from the disk.

Centronics: The printer manufacturer whose method of data transmission between a parallel printer and a computer has become an industry standard.

CGA: Colour/graphics adaptor. A video display protocol defined by the IBM Colour/Graphics Monitor Adaptor and its associated circuitry. This protocol supports two-colour 640x200 and four-colour 320x200 graphics, and 16-colour 640x200 and 320x200 text modes.

character: Any letter, number, punctuation mark, or symbol used by the computer. Also synonymous with byte.

chassis: The frame containing the computer.

chip: A small semiconductor containing computer logic and circuitry for processing, memory, input/output functions and controlling other chips.

CMOS: Complementary Metal-Oxide Semiconductor. An electronic circuit fabricated on a silicon wafer that requires very little power. Integrated circuits implemented in CMOS technology can be tightly packaged and are highly reliable.

cold start: Starting a computer that is currently off (turning on the power).

COM1, COM2, COM3 and COM4: The names assigned to the serial and communication ports.

commands: Instructions you enter at the terminal keyboard that direct the actions of the computer or its peripheral devices.

communications: The means by which a computer transmits and receives data to and from another computer or device. See parallel interface; serial interface.

compatibility: 1) The ability of one computer to accept and process data in the same manner as another computer without modifying the data or the media upon which it is being transferred. 2) the ability of one device to connect to or communicate with another system or component.

components: Elements or parts (of a system) which make up the whole (system).

computer program: A set of instructions written for a computer that enable it to achieve a desired result.

computer system: A combination of hardware, software, firmware, and peripheral components assembled to process data into useful information.

configuration: The specific components in your system (such as the terminal, printer, and disk drives) and the settings that define how your system works. You use the Hardware Setup, MaxTime or HW Setup program to control your system configuration.

control keys: A key or sequence of keys you enter from the keyboard to initiate a particular function within a program.

controller: Built-in hardware and software that controls the functions of a specific internal or peripheral device (e.g. keyboard controller).

co-processor: A circuit built into the processor that is dedicated to intensive math calculations.

CPS: Characters per second. Typically used to indicate the transmission speed of a printer.

CPU: Central processing unit. The portion of the computer that interprets and executes instructions.

CRT: Cathode Ray Tube. A vacuum tube in which beams projected on a fluorescent screen-producing luminous spots. An example is the television set.

cursor: A small, blinking rectangle or line that indicates the current position on the display screen.

D

- data:** Information that is factual, measurable or statistical that a computer can process, store, or retrieve.
- data bits:** A data communications parameter controlling the number of bits (binary digits) used to make up a byte. If data bits = 7 the computer can generate 128 unique characters. If data bits = 8 the computer can generate 256 unique characters.
- DC:** Direct Current. Electric current that flows in one direction. This type of power is usually supplied by batteries.
- default:** The parameter value automatically selected by the system when you or the program do not provide instructions. Also called a preset value.
- delete:** To remove data from a disk or other data storage device. Synonymous with erase.
- device driver:** A program that controls communication between a specific peripheral device and the computer. The CONFIG.SYS file contains device drivers that MS-DOS loads when you turn the computer on.
- dialog box:** A window that accepts user input to make system settings or record other information.
- disk drive:** The device that randomly accesses information on a disk and copies it to the computer's memory. It also writes data from memory to the disk. To accomplish these tasks, the unit physically rotates the disk at high speed past a read-write head.
- disk storage:** Storing data on magnetic disk. Data is arranged on concentric tracks much like a phonograph record.
- diskette:** A removable disk that stores magnetically encoded data used on a microcomputer. Also called floppy disk.
- diskette drive:** An electromechanical device that reads and writes to floppy disks. See also diskette.
- display:** A CRT, plasma screen, LCD, or other image producing device used to view computer output.
- documentation:** The set of manual and/or other instructions written for the users of a computer system or application. Computer system documentation typically includes procedural and tutorial information as well as system functions.
- DOS:** Disk operating system. See operating system.
- driver:** A software program, generally part of the operating system, that controls a specific piece of hardware (frequently a peripheral device such as a printer or mouse).

E

echo: To send back a reflection of the transmitted data to the sending device. You can display the information on the screen, or output it to the printer, or both. When a computer receives back data it transmitted to a CRT (or other peripheral device) and then retransmits the data to the printer, the printer is said to echo the CRT.

EGA: Enhanced Graphics Adaptor. A video display protocol defined by the IBM Enhanced Graphics Adaptor and its associated circuitry for direct drive TTL displays that supports 16-colour/monochrome 640x350 and 16-colour 640x200 and 320x200 graphics, and 16-colour 640x350 and 320x350 text modes.

erase: See delete.

escape: 1) A code (ASCII code 27), signalling the computer that what follows are commands; used with peripheral devices such as printers and modems. 2) A means of aborting the task currently in progress.

escape guard time: A time before and after an escape code is sent to the modem which distinguishes between escapes that are part of the transmitted data, and escapes that are intended as a command to the modem.

execute: To interpret and execute an instruction.

Extended Capability Port: An industry standard that provides a data buffer, switchable forward and reverse data transmission, and run length encoding (RLE) support.

F

fast infrared: An industry standard that enables cableless infrared serial data transfer at speeds of up to 4 Mbps.

file: A collection of related information; a file can contain data, programs, or both.

firmware: A set of instructions built into the hardware which controls and directs a microprocessor's activities.

fixed disk: See hard disk.

floppy disk: See diskette.

floppy disk drive (FDD): See diskette drive.

format: The process of readying a blank disk for its first use. Formatting establishes the structure of the disk that the operating system expects before it writes files or programs onto the disk.

folder: An icon in Windows used to store documents or other folders.

function keys: The keys labelled F1 through F12 that tell the computer to perform certain functions.

G

gigabyte (GB): A unit of data storage equal to 1024 megabytes. See also megabyte.

GND: Ground. An RS-232C signal used in the exchange of data between a computer and serial device.

graphics: The use of drawings, pictures, or other images, such as charts or graphs, to present information.

H

hard disk: A non-removable disk usually referred to as drive C. Also called fixed disk.

hard disk drive (HDD): An electromechanical device that reads and writes a hard disk. See also hard disk.

hardware: The physical electronic and mechanical components of a computer system: typically, the computer itself, external disk drives, etc. See also software and firmware.

hertz: A unit of wave frequency that equals one cycle per second.

hexadecimal: The base 16 numbering system composed of the digits 0 through 9 and the letters A, B, C, D, E, and F.

host computer: The computer that controls, regulates, and transmits information to a device or another computer.

hot dock/undock: Connecting or disconnecting a device to or from the computer while the computer's power is turned on.

hotkey: The computer's feature in which certain keys in combination with the extended function key, Fn, can be used to set system parameters, such as speaker volume.

HW Setup: A TOSHIBA utility that lets you set the parameters for various hardware components.

I

- icon:** A small graphic image displayed on the screen or in the indicator panel. In Windows, an icon represents an object that the user can manipulate.
- iLINK (IEEE1394):** This port enables high-speed data transfer directly from external devices such as digital video cameras.
- infrared port:** A cableless communications capable of using infrared signals to send serial data.
- input:** The data or instructions you provide to a computer, communication device or other peripheral device from the keyboard or external or internal storage devices. The data sent (or output) by the sending computer is input for the receiving computer.
- instruction:** Statements or commands that specify how to perform a particular task.
- interface:** 1) Hardware and/or software components of a system used specifically to connect one system or device to another. 2) To physically connect one system or device to another to exchange information. 3) The point of contact between user, the computer, and the program, for example, the keyboard or a menu.
- interrupt request:** A signal that gives a component access to the processor.
- I/O:** Input/output. Refers to acceptance and transfer of data to and from a computer.
- I/O devices:** Equipment used to communicate with the computer and transfer data to and from it.

J

- jumper:** A small clip or wire that allows you to change the hardware characteristics by electrically connecting two points of a circuit.

K

- K:** Taken from the Greek word kilo, meaning 1000; often used as equivalent to 1024, or 2 raised to the 10th power. See also byte and kilobyte.
- KB:** See kilobyte.
- keyboard:** An input device containing switches that are activated by manually pressing marked keys. Each keystroke activates a switch that transmits a specific code to the computer. For each key, the transmitted code is, in turn, representative of the (ASCII) character marked on the key.
- kilobyte (KB):** A unit of data storage equal to 1024 bytes. See also byte and megabit.

L

level 2 cache: See cache.

Light Emitting Diode (LED): A semiconductor device that emits light when a current is applied.

Liquid Crystal Display (LCD): Liquid crystal sealed between two sheets of glass coated with transparent conducting material. The viewing-side coating is etched into character forming segments with leads that extend to the edge of the glass. Applying a voltage between the glass sheets darkens the liquid crystal to provide contrast to lighted portions of the display.

LSI: Large Scale Integration. 1) A technology that allows the inclusion of up to 100,000 simple logic gates on a single chip. 2) An integrated circuit that uses the large scale integration.

M

main board: See motherboard.

MDA: Monochrome Display Adaptor. A video display protocol defined by the IBM Monochrome Display Adaptor and its associated circuitry for direct drive TTL displays that supports a monochrome 720x350 text mode.

megabyte (MB): A unit of data storage equal to 1024 kilobytes. See also kilobyte.

megahertz: A unit of wave frequency that equals 1 million cycles per second. See also hertz.

menu: A software interface that displays a list of options on the screen. Also called a screen.

microprocessor: A hardware component contained in a single integrated circuit that carries out instructions. Also called the central processing unit (CPU), one of the main parts of the computer.

MMX: Refers to microprocessors with additional instructions beyond the x86 standard. The instructions were developed on the basis of multimedia code requirements and thus improve the performance of multimedia applications.

mode: A method of operation, for example, the boot mode or the resume mode.

modem: Derived from modulator/demodulator, a device that converts (modulates) digital data for transmission over telephone lines and then converts modulated data (demodulates) to digital format where received.

monitor: A device that uses rows and columns of pixels to display alphanumeric characters or graphic images. See CRT.

motherboard: A name sometimes used to refer to the main printed circuit board in processing equipment. It usually contains integrated circuits that perform the processor's basic functions and provides connectors for adding other boards that perform special functions. Sometimes called a main board.

MPEG: Moving picture coding expert group is an industry standard architecture for compression of video signals.

N

non-system disk: A formatted diskette (floppy disk) you can use to store programs and data but you cannot use to start the computer. See system disk.

nonvolatile memory: Memory, usually read-only (ROM), that is capable of permanently storing information. Turning the computer's power off does not alter data stored in nonvolatile memory.

numeric keypad overlay: A feature that allows you to use certain keys on the keyboard to perform numeric entry, or to control cursor and page movement.

O

OCR: Optical Character Recognition (reader). A technique or device that uses laser or visible light to identify characters and input them into a storage device.

OCR wand: A device that reads, using an optical device, hand written or machine printed symbols into a computer. See also OCR.

on-line state: A functional state of a peripheral device when it is ready to receive or transmit data.

operating system: A group of programs that controls the basic operation of a computer. Operating system functions include interpreting programs, creating data files, and controlling the transmission and receipt (input/output) of data to and from memory and peripheral devices.

output: The results of a computer operation. Output commonly indicates data 1) printed on paper, 2) displayed at a terminal, 3) sent through the serial port of internal modem, or 4) stored on some magnetic media.

P

- parallel:** Refers to two or more processes or events that can occur simultaneously, and without interfering with each other. See also serial.
- parallel interface:** Refers to a type of information exchange that transmits information one byte (8 bits) at a time. See also serial interface.
- parity:** 1) The symmetrical relationship between two parameter values (integers) both of which are either on or off; odd or even; 0 or 1.
2) In serial communications, an error detection bit that is added to a group of data bits making the sum of the bits even or odd. Parity can be set to none, odd, or even.
- password:** A unique string of characters used to identify a specific user. The computer provides various levels of password protection such as user, supervisor and eject.
- pel:** The smallest area of the display that can be addressed by software. Equal in size to a pixel or group of pixels. See pixel.
- peripheral component interconnect:** An industry standard 32-bit bus.
- peripheral device:** An I/O device that is external to the central processor and/or main memory such as a printer or a mouse.
- plug and play:** A capability with Windows that enables the system to automatically recognise connections of external devices and make the necessary configurations in the computer.
- pixel:** A picture element. The smallest dot that can be made on a display or printer. Also called a pel.
- port:** The electrical connection through which the computer sends and receives data to and from devices or other computers.
- Port Replicator:** Devices that enables one-point connection to a number of peripheral devices and provides additional ports and slots.
- printed circuit board (PCB):** A hardware component of a processor to which integrated circuits and other components are attached. The board itself is typically flat and rectangular, and constructed of fiberglass, to form the attachment surface.
- program:** A set of instructions a computer can execute that enables it to achieve a desired result. See also application.
- prompt:** A message the computer provides indicating it is ready for or requires information or an action from you.

R

Radio frequency interference (RFI) shield: A metal shield enclosing the printed circuit boards of the printer or computer to prevent radio and TV interference. All computer equipment generates radio frequency signals. The FCC regulates the amount of signals a computing device can allow past its shielding. A Class A device is sufficient for office use. Class B provides a more stringent classification for home equipment use. TOSHIBA portable computers comply with Class B computing device regulations.

Random Access Memory (RAM): High speed memory within the computer circuitry that can be read or written to.

restart: Resetting a computer without turning it off (also called 'warm boot' or 'soft reset'). To restart the computer, press Ctrl + Alt + Del while the computer is on. See also boot.

RCA jack: A single-pin connector that carries composite video signals, which include both contrast and colour information. See also S-video.

RGB: Red, green, and blue. A device that uses three input signals, each activating an electron gun for a primary additive colour (red, green, and blue) or port for using such a device. See also CRT.

RJ11: A modular telephone jack.

ROM: Read Only Memory: A nonvolatile memory chip manufactured to contain information that controls the computer's basic operation. You cannot access or change information stored in ROM.

RS-232C: The Electronic Industries Association (EIA) interface standard that describes the 25-pin connector interface and control, data, and status signals that allow asynchronous communications between computers, printers, communications and other peripheral devices.

S

SCSI: Small Computer System Interface is an industry standard interface for connection of a variety of peripheral devices.

serial: The handling of data bits one after the other.

serial communications: A communications technique that uses as few as two interconnecting wires to send bits one after another.

serial interface: Refers to a type of information exchange that transmits information sequentially, one bit at a time. Contrast: Parallel interface.

serial port: A communications port to which you can connect devices, such as a modem, mouse, or serial printer.

SIO: Serial Input/Output. The electronic methodology used in serial data transmission.

soft key: Key combinations that emulate keys on the IBM keyboard, change some configuration options, stop program execution, and access the numeric keypad overlay.

software: The set of programs, procedures and related documentation associated with a computer system. Specifically refers to computer programs that direct and control the computer system's activities. See also hardware.

stop bit: One or more bits of a byte that follow the transmitted character or group codes in asynchronous serial communications.

subpixel: Three elements, one red, one green and blue (RGB), that make up a pixel on the colour LCD. The computer sets subpixels independently, each may emit a different degree of brightness. See also pixel.

S-video: This connection provides separate lines for contrast and colour, which produces a video image superior to that produced by a composite connection. See also RCA jack.

synchronous: Having a constant time interval between successive bits, characters or events.

system disk: A disk that has been formatted with an operating system. For MS-DOS the operating system is contained in two hidden files and the COMMAND.COM file. You can boot a computer using a system disk. Also called an operating system disk.

T

terminal: A typewriter-like keyboard and CRT display screen connected to the computer for data input/output.

TFT: A colour LCD technology that applies individual transistors to each pixel enabling fine display control and excellent screen legibility.

TTL: Transistor-transistor logic. A logic circuit design that uses switching transistors for gates and storage.

U

USB: Enables chain connection of a number of USB-equipped devices to one port on your computer. For example, you might connect a USB-HUB to the computer, then connect a keyboard to the USB-HUB and a mouse to the keyboard.

V

VGA: Video graphics array is an industry standard video adaptor that lets you run any popular software.

volatile memory: Random access memory (RAM) that stores information as long as the computer is connected to a power source.

W

Warm dock/undock: Connecting or disconnecting a device to or from the computer while the computer is suspended.

warm start: Restarting or resetting a computer without turning it off.

window: A portion of the screen that can display its own application or document. Often used to mean a Microsoft Windows window.

Wireless LAN: A short-range radio technology designed to simplify wireless communication with other LAN systems based on Direct Sequence Spread Spectrum radio technology that complies with the IEEE 802.11 Standard (Revision B) .

write protection: A method for protecting a diskette (floppy disk) from accidental erasure.

Index

A

- AC adaptor, 1-6, 2-12
 - Connecting, 3-6
- AccuPoint II, 1-5, 2-9
 - control buttons, 2-9
 - precautions, 4-2
 - Using, 4-1
- Advanced Port Replicator, 8-11
- ASCII characters, G-1

B

- battery
 - additional, 8-7
- Battery
 - indicators, 6-3
 - lock, 2-7
 - Main battery, 6-4
 - optional charger, 1-12
 - pack, 2-7
 - Real time clock, 6-5
 - real time clock battery, 1-6
 - Replacing, 6-10
 - save mode, 1-9
 - Secondary battery, 6-5
 - types, 6-4
- Battery pack, 1-6

C

- Cache memory
 - CPU cache, 1-3
 - level 2 cache, 1-3
- CD/DVD drives
 - CD-R/RW drive, 1-4
 - CD-ROM drive, 1-4
 - CD-RW/DVD ROM drive, 1-4
 - DVD-ROM drive, 1-4
 - Software DVD, 1-11
- Certification agencies, B-1
- Cooling, 1-10

D

- diskette drive, 4-10
 - Connecting, 4-11
 - Disconnecting, 4-11
 - Diskette care, 4-12
 - USB, 8-10
- display
 - opening, 3-5
- Display, 1-5
 - controller, 1-5
 - Display Driver for Windows, 1-11

E

- Equipment checklist, 1-1
- External monitor, 8-13

H

- Hard disk drive, 1-4
- Hibernation, 1-10
 - benefits, 3-8
 - starting, 3-9
- Hotkey, 1-9
- HW Setup, 7-1

I

- indicators
 - Battery, 6-3
 - DC IN, 2-10, 6-3
 - Disk, 2-10
 - Main battery, 2-10
 - Power, 2-10
 - SelectBay, 2-10
 - Wireless communication, 2-10
- Indicators
 - Keyboard, 2-11
 - Power source/system, 2-10
- Internal Modem Guide, H-1

K

- Keyboard, 1-5, 5-1
 - function keys, 5-2
 - Soft Keys, 5-2
- Keypad overlay, 1-9

L

- LAN, 4-13
 - Ethernet LAN, 1-7
 - LAN driver, 1-11
 - Wireless LAN, 1-7
- Loading CDs, 4-5

M

- Memory, 1-3
 - expansion, 1-12
- Memory expansion, 8-4
- Modem, 1-7, 4-16
 - Specifications, A-3

O

- Operating System, 1-8

P

- Parallel printer, 8-12
- Password
 - power on, 1-9
- PC card, 8-2
 - Installing, 8-2
 - Removing, 8-3
- Plug and Play, 1-8
- Ports, 1-6
 - DC IN 15V, 2-4
 - Docking, 2-6
 - expansion port, 1-6
 - external monitor, 1-6
 - External monitor, 2-4
 - headphone, 1-6
 - Headphone, 2-2
 - infrared, 1-6
 - Infrared, 2-2
 - LAN, 2-5
 - Microphone, 2-1
 - Modem, 2-5
 - Parallel, 1-6, 2-4
 - PS/2 keyboard/ mouse, 1-6, 2-5
 - Serial, 1-6, 2-5
 - Universal Serial Bus, 1-6, 2-5
 - Video-out, 2-2
- power
 - restarting the computer, 3-11
 - Turning off, 3-7
 - Turning on, 3-7
- Power
 - Auto power on, 1-10
 - conditions, 6-1
 - display automatic power off, 1-9
 - HDD automatic power off, 1-9
 - Indicator:, 2-10
 - indicators, 6-3
 - panel power on/off, 1-10
 - Requirements, A-2
 - system automatic power off, 1-9
- Power button, 2-9

Problems

- CD-R/RW drive, 9-10
 - CD-ROM drive, 9-9
 - CD-RW/DVD-ROM drive, 9-12
 - Diskette drive, 9-13
 - DVD-ROM drive, 9-11
 - Hard disk drive, 9-8
 - Hibernation, 9-19
 - Infrared port, 9-13
 - Keyboard, 9-7
 - LAN, 9-19
 - LCD panel, 9-8
 - Memory expansion, 9-19
 - Modem, 9-18
 - Monitor, 9-16
 - Password, 9-7
 - PC card, 9-15
 - Pointing device, 9-14
 - AccuPoint II, 9-14
 - PS/2 mouse, 9-15
 - Power, 9-5
 - AC power, 9-5
 - Battery, 9-6
 - Overheating, 9-5
 - Printer, 9-14
 - Sound system, 9-16
 - support from Toshiba, 9-20, C-1
 - TV output signal, 9-17
 - USB, 9-17
 - Wireless LAN, 9-20
- Processor, 1-3
- PS/2
 - keyboard, 8-15
 - mouse, 8-15

R

- Removing CDs, 4-8
- Restarting the computer, 3-11
- Restoring the Windows system, 3-12

S

- Security lock, 1-12, 8-16
- SelectBay, 1-8
 - 2nd battery pack, 2-18
 - CD-R/RW drive, 2-15
 - CD-ROM drive, 2-15
 - CD-RW/DVD-ROM drive, 2-16
 - DVD-ROM drive, 2-13
 - HDD adaptor, 2-18, 8-9
 - modules, 2-13
 - options list, 1-13
 - Weight saver, 2-19
- SelectBay
 - Changing modules, 4-3
- Soft Keys
 - Alt Gr Key Combinations, 5-2
- Sound system, 1-7
 - Sound drivers, 1-11
- Specifications, A-1
 - Built-in Modem, A-3
 - Environmental Requirements, A-2
 - Physical Dimensions, A-1
 - Power Requirements, A-2
- Standby, 1-10
- Standby mode, 3-10
- Supervisor Password, 1-11

T

- Television, 8-14
- Toshiba Utilities, 1-8

V

- V.90, L-1
- Video RAM, 1-3
- Volume control, 2-3

W

- Wireless communication
 - indicator, 2-10
 - switch, 2-3
- wireless LAN, I-1
- Wireless LAN
 - LED, 4-13
 - switch, 4-12